

# Bridge Light

SL-BR Series

Optional



GPS Sync



GSM Monitoring

*This equipment complies with requirements of the U.S. Coast Guard in 33 CFR part 118*



The SL-BR Series are an LED Bridge Light. They are specifically designed to clearly mark bridges and structures extending over navigable waterways. Used extensively throughout the USA, the SL-BR Series has been designed to offer superior visibility up to 4NM, and operate in conjunction with existing power supplies.

The light is available as a 180° sectored red model or 360° green model and comes fixed-on as standard. The fixtures are also available with a range of factory-set flash characteristics and sectoring requirements to suit local regulations.

The light is available in two configurations, nominal 12VDC or universal AC (110-240VAC).

The SL-BR series can also be supplied as a complete solar/battery system to comply with requirements of regional governing bodies such as the U.S. Coast Guard, or the IALA Recommendations for the marking of fixed bridges over navigable waters.

**Sealite has a range of other short, medium and long range marine lanterns that may also be used to comply with bridge lighting requirements.**



SL-155 180° model for bridge fenders & abutments

SL-155 Series bridge lights



Sectored Bridge Light



Optional solar/battery systems and optional mounting accessories are available

## Advantage

- Up to 4NM visible range
- Able to operate in conjunction with existing power supplies

## Optional Add Ons

- Solar/battery systems available
- Universal AC: will accept between 110-240VAC
- Mounting accessories

## Technical Specifications \*\*

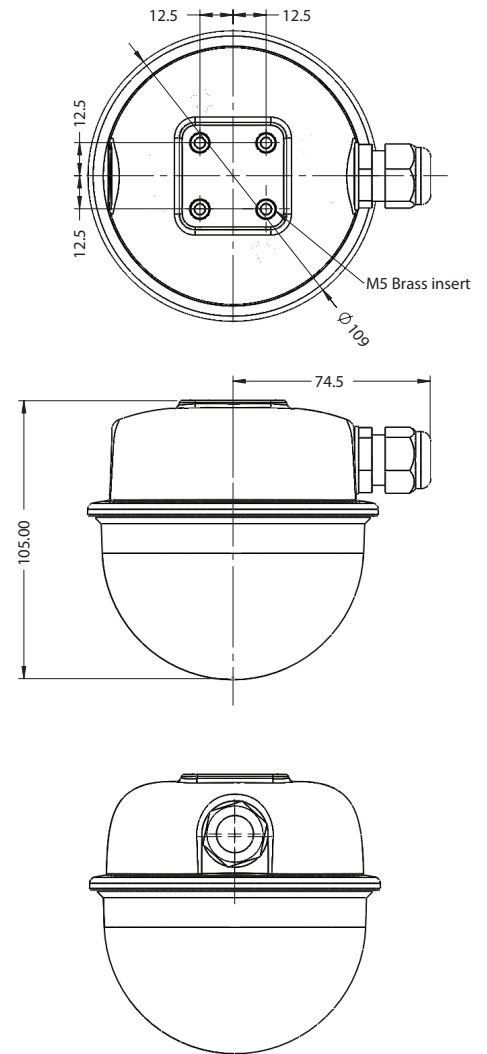
	SL-BR Series (2NM)	SL-BR4 Series (4NM)
<b>Light Characteristics</b>		
Light Source	LED	
Available Colours	Red, Green, other colours available on request	
Visible Range (NM)	AT @ 0.74: 2 (nominal)	AT @ 0.74: 4 (nominal)
	AT @ 0.85: 2.3	AT @ 0.85: 4.6
Horizontal Output (degrees)	360 or 180	
Vertical Divergence (degrees)	9	
Available Flash Characteristics	Steady-on (standard). Other factory set flash patterns available on request	
LED Life Expectancy (hours)	>100,000	
<b>Electrical Characteristics</b>		
Current Draw (mA)	VDC Model: 40 @ 12 VDC	VDC Model: 80 @ 12 VDC
Circuit Protection	Integrated	
Nominal Voltage (V)	VDC Model: 12 VDC	
	VAC Model: 110–240 VAC	
Temperature Range	-40 to 80°C	
<b>Physical Characteristics</b>		
Body Material	LEXAN® Polycarbonate – UV stabilised	
Lens Material	LEXAN® Polycarbonate – UV stabilised	
Lens Diameter (mm/inches)	107 / 4 1/4	
Lens Design	LED optic	
Mounting	50mm OD pole	
Height (mm/inches)	105 / 4	
Width (mm/inches)	109 / 4 1/4	
Mass (kg/lbs)	1.2 / 2 1/2	
Product Life Expectancy	Up to 12 years ^	
<b>Certifications</b>		
CE	EN61000-6-3:2007 EN61000-6-1:2007	
IALA	Signal colours compliant to IALA E-200-1	
USCG	33 CFR Part 118	
Quality Assurance	ISO 9001:2015	
Waterproof	IP68	
<b>Intellectual Property</b>		
Patents	US Pat. No. 6,667,582. AU Pat. No. 778,918	
Trademarks	SEALITE® is a registered trademark of Sealite Pty Ltd	
Warranty *	3 years	
Options Available	<ul style="list-style-type: none"> <li>• Mounting assemblies</li> <li>• Solar/battery systems                             <ul style="list-style-type: none"> <li>• Light sectoring</li> <li>• Additional cable</li> </ul> </li> <li>• GPS Synchronisation (DC Model)</li> <li>• GSM Monitoring and Control System (DC Model)</li> </ul>	

CE • Specifications subject to change or variation without notice \* Subject to standard terms and conditions  
^ Refer to the Sealite website under the warranty section

## Power Current in Electrical Circuit (VA)

Bridge Light Colour	VA
White	6.2
Green	6.9
Red	7.8

## Technical Illustration



We believe technology improves navigation™