

13–21NM Long Range Lantern

SL-300 Series – SL-300-1D5-1 & SL-300-1D5-2



The SL-300-1D5 series are 13 to 21NM long range marine lanterns with 1.5 degree vertical distribution, suitable for a range of day and night applications.

High Intensity, Small Form Factor

The SL-300-1D5 series offers multiple intensity adjustments to over 90,000cd luminous intensity in a single tier (over 180,000cd in a 2-tier configuration). The small form factor provides minimal wind loading and convenient handling – delivering significant advantages over traditional larger lens stack assemblies.

High Efficiency

The long range lanterns produce a class-leading intensity to power ratio, making them highly efficient and suitable for solar power solutions.

Advanced PC or IR Programming

Sealite's convenient PC Configuration Tool or IR programmer allows a host of features to be user set including;

- Multiple intensity settings
- 310 flash settings including custom character
- Automatic effective intensity adjustment
- Adjustable on/off lux levels
- Low battery threshold
- GPS synchronisation offset
- Alarm conditions

Optional GPS Synchronisation

For flash synchronisation of lanterns a GPS module may be fitted.

Optional GSM Monitoring & Control

The SL-300-1D5 series may be fitted with a GSM module for monitoring and control – enabling users to access real-time diagnostic data and change lantern settings via cell-phone.



Precision upper heat sink



Shown with optional GPS antenna



The Sealite Advantage

- Over 90,000cd luminous intensity white - single tier
- Over 180,000cd luminous intensity white - two tier
- Compact lantern up to 21NM visible range
- PC or IR Programmer for setup, diagnostic & testing
- Internal or external photocell options
- User configurable day/night lux levels
- Advanced remote monitoring features
- Wide operating voltage range 21–58VDC
- Internal data-logging for long term retention of key operational parameters & alarm conditions
- General purpose inputs (two) & outputs (two)

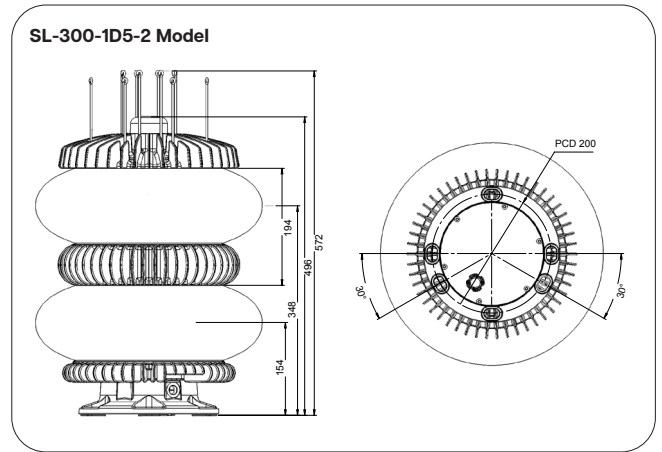
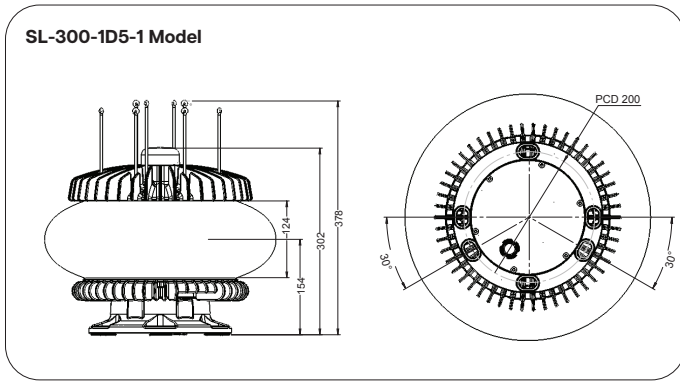
Technical Specifications*

SL-300 Series	1.5° Single Tier Model		1.5° Two Tier Model	
	SL-300-1D5-1		SL-300-1D5-2	
Light Characteristics				
Light Source	High efficiency LEDs			
Available Colours	White. Other colours available on request.			
Typical Maximum Intensity (cd)†	White - 94,400		White - 188,800	
Visible Range (NM)	AT @ 0.74: 13–19 AT @ 0.85: 19.2–29.5		AT @ 0.74: 19–21 AT @ 0.85: 29.6–33	
Horizontal Output (degrees)	360			
Vertical Divergence (degrees)	>1.5			
Available Flash Characteristics	Up to 310 including 256 IALA recommended, & 1 custom			
Intensity Adjustments	User adjustable			
LED Life Expectancy (hours)	>100,000			
Electrical Characteristics				
Voltage Range (V)	24-48V DC			
Nominal Voltage (V)	24V DC			
Peak Power (W)	384		768	
Average Power (W)	132		264	
Physical Characteristics				
Body Material	Marine grade two part epoxy coating to resist the elements			
Lens Material	UV-stabilised acrylic			
Lens Diameter (mm/inches)	373 / 14%			
Lens Design	Multiple LED optic			
Mounting	3 & 4 hole 200mm bolt pattern			
Height (mm/inches)	302 / 12		496 / 19%	
Width (mm/inches)	373 / 14%		373 / 14%	
Mass (kg/lbs)	18.5 / 40%		38.5 / 85	
Product Life Expectancy	Up to 12 years			
Environmental Standards				
Shock	MIL-STD-202-213 Test condition H			
Vibration	MIL-STD-202-204 Test Condition B (5g)			
Ice Loading	Rated to withstand 22kg/m2			
Temperature Range	-40 to 60°C			
Wind Exposure	Rated to withstand 140 knots			
Humidity	0 – 100%, condensing			
Driving Rain	at 45° from vertical			
Certifications				
Immunity	EN 61000-6-1: 2007 (IEC61000-6-1: 2005).			
Emission	EN 61000-6-4: 2007 (IEC 61000-6-4: 2006) + A1: 2001.			
FCC Part 15 Rules	IFCC Part 15 Subpart B.			
IALA	Signal colours compliant to IALA E-200-1			
Quality Assurance	ISO 9001:2015			
Waterproof	IP68			
Intellectual Property				
Trademarks	SEALITE® is a registered trademark of Sealite Pty Ltd			
Warranty*				
3-year warranty				
Options Available				
<ul style="list-style-type: none"> • GPS Synchronisation • AIS Type 1 or Type 3 • GSM Monitoring & Control System <ul style="list-style-type: none"> • RS232/422/485 Port • General purpose inputs (2) & outputs (2) • Variety of solar/battery configurations <ul style="list-style-type: none"> • Bird deterrent spikes • Serial programming cable 				

*AIS option will be with external Type 1 or Type 3 AIS transponder

*Refer to the Sealite website under the warranty section

Technical Illustrations



HOW TO ORDER

13–21NM Long Range Lantern

SL-300-1D5-[tiers]-[colour]-[?]-[?]

Product No.: _____

Model: _____
1D5 = 1.5° Divergence

Tiers: _____
1 = Single tier
2 = Two tier

Colour: _____
W = White
(other colours available on request)

Monitoring & Control: _____
GSM = GSM
GPS = GPS Synchronisation
AIS1 = AIS Type 1
AIS3 = AIS Type 3
[blank] = No monitoring & control

RS Communications Port: _____
RS = RS communications port
[blank] = No RS communications port

Note: Please contact your Sealite representative for optional power supply solutions

HOW TO ORDER

Solar Power Supply

SL-PS-110-140-01

Product No.: _____

Battery Capacity: _____
110 = 110 Ah

Solar Output: _____
140 = 140 watts

Mount Type: _____
01 = post mount



We believe technology improves navigation™