



## VLS46U

**Adjustable LED sector light**  
25 NM by night, 6,2 NM by day

The VLS46 Ultra is ideal for harbours with narrow or difficult approaches. The modular design allows up to seven projectors to be placed side by side. This can be used to create unique sector angles, flash patterns and intensities.

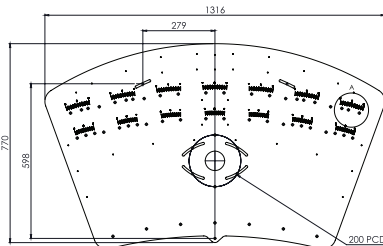
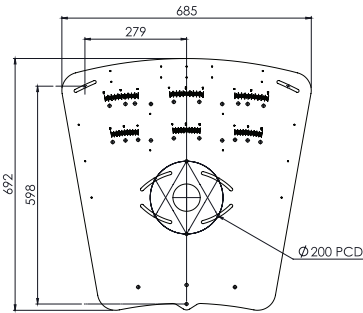
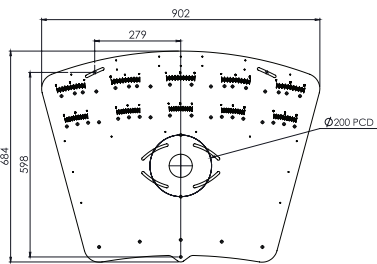
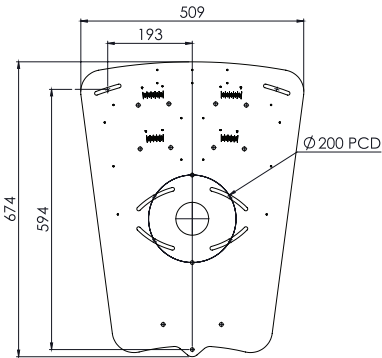
The VLS46 Ultra has been designed to take advantage of the latest LED technology. The key features include:

- **Peak intensity up to 167000cd**
- **1 minute of arc boundary precision when viewed from 5,000 metres**
- **Large vertical divergence for visibility by all types of vessels**
- **Only one tower is required, compared with range lights. This reduces the installation and maintenance cost by half**
- **Sectors are adjustable. Each projector can be individually adjusted to the width required for the application, within the limits defined in this brochure and product manual**
- **Range 33,2 NM by night and 4,7 NM by day @ 0.85T**
- **Energy-efficient LED technology is ideal for solar-powered sites**
- **Maintenance-free design (no moving parts) will save money and time**
- **Lightweight marine-grade aluminium construction makes the unit light and easy to handle. For example, three 5° projectors including mounting plate weigh approximately 21.8kg**



Performance

Product	Horizontal divergence	Vertical divergence @ peak intensity	Peak intensity red	Peak intensity green	Peak intensity white
VLS46U-05D	5°	3.6°	42 000 cd	140 777 cd	167 000 cd
VLS46U-10D	10°	7.2°	11 320 cd	39 151 cd	45 500 cd
<b>Power consumption @ peak intensity</b>			58 W	85 W	67 W



Main Technical Specification

<b>Horizontal divergence</b>	5°, adjustable from 0.5 – 5° (linear adjustment) 10°, adjustable from 1.0° (linear adjustment)
<b>Lens</b>	Acrylic and glass
<b>Light source</b>	High power Light Emitting Diode (LED)
<b>Base</b>	Marine grade aluminium
<b>Body</b>	Marine grade aluminium and injection moulded UV stable plastic
<b>Designed service life</b>	10 years
<b>Weight</b>	2.4 - 19.1 kg
<b>Temperature range</b>	-30° to +50°C / -22°F to +122°F
<b>Voltage</b>	10 - 30 VDC
<b>Solar charger</b>	N/A
<b>Degree of protection</b>	IP67
<b>Cable length</b>	2 m / 6 m

Order Overview VLS46U

Product code

Code	Note
VLS46U-ddd-cx-BP-OPT	
<b>ddd</b>	Lens
<b>c</b>	Color (R, G, W, Y)
<b>x</b>	Quantity of projectors (1-7)
<b>BP</b>	Base plate
<b>OPT</b>	Options
<b>Option matrix</b>	
<b>GS</b>	Internal GPS sync module as factory option