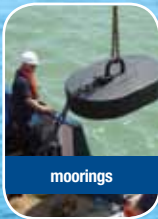




data buoy platforms



moorings



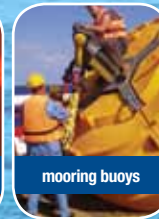
navigation buoys



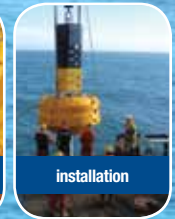
hydrosphere



navigation lights



mooring buoys



installation

the UK's leading supplier of aids to navigation

Mobilis AMR 17000-5000

4.0m-2.4m diameter mooring buoys



MOBILIS

The AMR series of mooring buoys are suitable for most applications from harbour and coastal locations to deep sea conditions.

The buoy hulls are made up of four or eight rotationally moulded, medium density polyethylene (MDPE) float sections, combined with a galvanised steel central structure. This creates a strong, lightweight buoy capable of supporting substantial loads. The use of polyethylene for the hulls allows the buoys to absorb minor impacts without damage to the buoy or vessel.

Floats are available in four sizes ranging from 4.0m to 2.4m diameter and providing up to 17000Kg of gross buoyancy. Whilst normally supplied as white or yellow, other colours are available if required. The buoys' modular design allows for commonality of parts, thereby reducing maintenance, inspection, replacement and spares holding costs.

The AMR 9000, 7000 and 5000 buoys have a selection of possible mooring attachments: a quick-release hook, shackle, static 'T', or D link. The AMR 17000 is available with either the quick-release hook or shackle options.



mooring buoys

mooring configurations

- features:**
- Suitable for port, coastal and deep sea applications
 - UV stabilised MDPE components - retains colour within IALA guidelines for more than 15 years
 - Galvanised steel central structure
 - Safe working loads of up to 300 tonnes
 - Modular system - reduces spares holding
 - Multiple mooring attachments
 - Up to 4.0m diameter
 - Up to 17000Kg gross buoyancy

quick-release hook



shackle



static 'T'
(not available for AMR 17000)



D link
(not available for AMR 17000)



aquaculture | marinas & sailing clubs | ports & harbours | offshore renewable energy | oil & gas

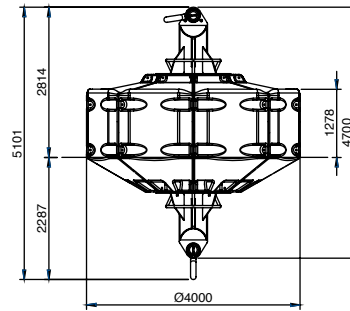
t: +44 (0)1420 520374 www.hydrosphere.co.uk e: sales@hydrosphere.co.uk

Mobilis AMR 17000-5000

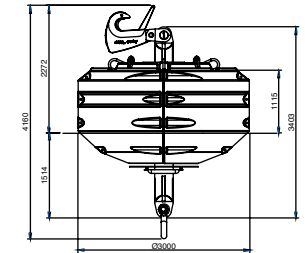
specifications and applications

construction	AMR 17000	AMR 9000	AMR 7000	AMR 5000
Central Structure	Galvanised steel			
Hull	MDPE (4 or 8 float sections)			
physical				
Diameter m	4.0	3.0	2.6	2.4
Height m	5.3	4.1	4.0	4.0
Weight Kg (inc. shackles)	6000 / 4000	2000	1700	1500
Safe Working Load Tonnes	300 / 200	150 / 85 / 70	70 / 50	70 / 50
Draft m	2.6 / 2.3	1.8	1.8	1.8
Max Current Knots	14	11	11	11
Gross Buoyancy Kg	17000	9000	7000	5000
mooring				
Quick-Release Hook	✓	✓	✓	✓
Shackle	✓	✓	✓	✓
Static 'T'	✓	✓	✓	✓
D Link	✓	✓	✓	✓
application				
Deep Sea	✓	✓	✓	✓
Estuary	✓	✓	✓	✓
Coastal	✓	✓	✓	✓
Ports	✓	✓	✓	✓
Rivers	✓	✓	✓	✓

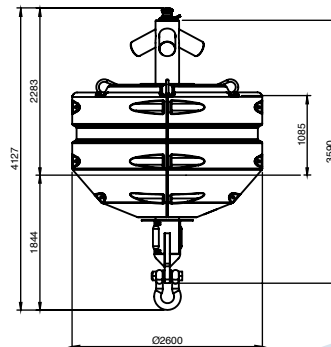
AMR 17000 with shackle



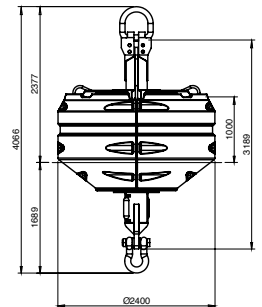
AMR 9000 with quick-release hook



AMR 7000 with static 'T'



AMR 5000 with D link



the right mooring buoy for the job

The mooring buoy, chain and sinker / anchor should be considered a complete system; we can offer a mooring and buoy design service to ensure the correct buoy and mooring are supplied.



hydrosphere

about Hydrosphere

Hydrosphere is the UK's leading supplier of aids to navigation and has been providing cost-effective solutions to the marine industry for more than 18 years. We offer a wide range of navigation and mooring buoys, LED navigation lights, sector lights, rotating beacons, leading lights, jetty masts, beach and zone marking products and associated moorings. Rental, installation and maintenance services are also available for all our products and systems.

For more information please contact us.

data buoy platforms | moorings | navigation buoys | navigation lights | mooring buoys | installation

t: +44 (0)1420 520374

www.hydrosphere.co.uk

e: sales@hydrosphere.co.uk

Compliant with all IALA recommendations.

