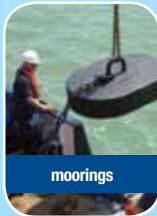




data buoy platforms



moorings



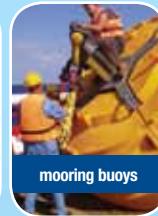
navigation buoys



hydrosphere



navigation lights



mooring buoys



installation

the UK's leading supplier of aids to navigation

# data buoy platforms

## PRODUCT SUMMARY

- ROBUST CONSTRUCTION
- MODULAR DESIGN
- 3.0M - 1.2M DIAMETER HULLS
- INTERCHANGEABLE COMPONENTS
- EASY TO TRANSPORT
- MODULAR SOLAR POWER SYSTEMS
- SINGLE OR MULTI-POINT MOORINGS
- THROUGH-HULL ACCESS
- HIGHLY STABLE IN OPERATION



Image courtesy of J.R.Ryan Marine Institute



Image courtesy of UK Met Office



Image courtesy of Mobilis

data buoy platforms



MOBILIS



# world-leading data buoy platforms

For over 18 years, Hydrosphere and Mobilis have been designing, manufacturing and supplying data buoy platforms to oil and gas companies, survey organisations, research institutes and universities both across the UK and Worldwide.

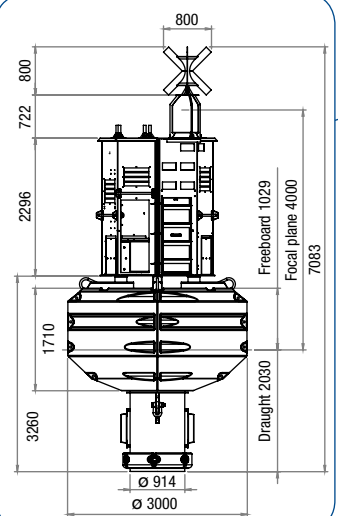
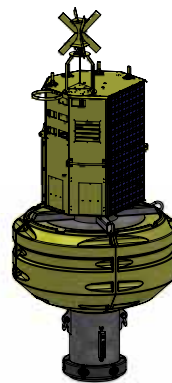
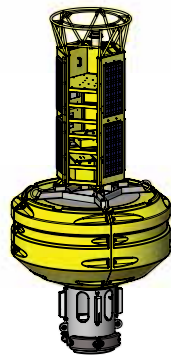
Mobilis data buoy platforms range five basic models from a 3m to 1.2m hull diameter. A modular design means they can be tailored to customer requirements and work can be carried out on components individually during assembly. The result is a range of flexible platforms that can be utilised across a variety of applications whilst remaining easy to handle and transport.

## large buoy platforms - DB 8000

For deepwater applications or higher equipment payloads.



DB 8000

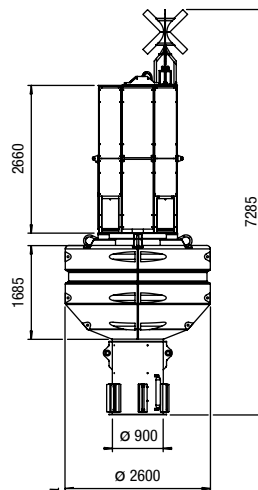
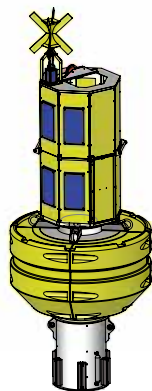


## large buoy platforms - DB 5700

For deepwater applications or higher equipment payloads.



DB 5700



The DB 8000 and DB 5700 share the same steel structure and range of towers but utilise different size floats.

The large towers allow instrumentation to be placed in a protected position that is safe from damage during deployment and recovery. Internal access to the towers for engineering personnel is possible via lockable doors.

modular



solar power supplies



battery box



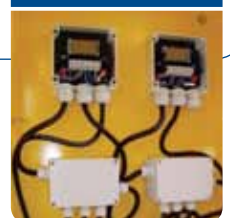
sensor mounting tubes



non-skid deck



power management



All Mobilis data buoys comprise a robust central steel structure with through-hull access for underwater instrumentation and cabling. Buoyancy is provided by multiple-section rotationally moulded polyethylene (PE) floats, which are bolted around the structure.

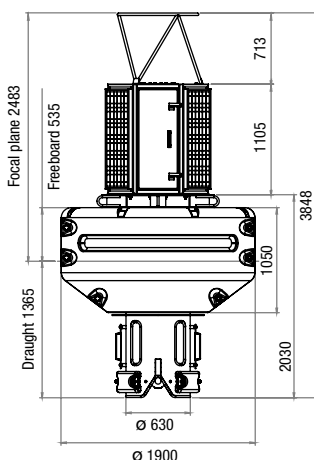
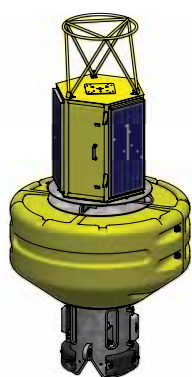
A range of towers are available depending upon focal heights, payloads, and power requirements. Towers are manufactured from marine grade aluminium and can be fitted with a large range of battery housings, solar panels, sensor rings and topmarks. Replaceable structures can be held where a buoy requires to be quickly redeployed with a different equipment configuration.

### medium buoy platforms - DB 2000

For shallower locations with medium equipment payloads.



DB 2000



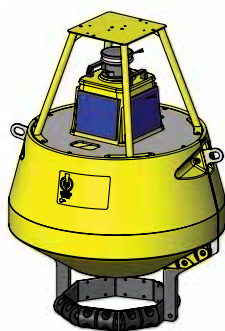
The DB 2000 is based on the highly successful JET 2000 J navigation buoy. As with the DB 2000 it has a steel central core and can be fitted with a variety of daymarks depending on payload and power requirements. The most popular daymark is the 1m hexagonal tower, which provides internal space for instrumentation and batteries and a large external area for the mounting of solar panels.

### small buoy platforms – DB 650, DB 500

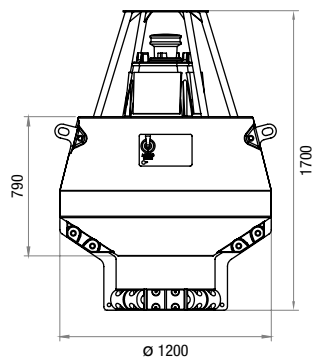
For shallow locations and small/light equipment payloads.



DB 650



DB 500



The DB 650 and DB 500 platforms are compact units that can be easily transported. As with the larger buoys there is through-hull access for underwater instrumentation. The buoys can be supplied as hull-only assemblies for customers to fit their own towers. Alternatively, Hydrosphere can supply a variety of towers to suit individual requirements.

The data buoy platforms illustrated in this product summary are a sample of the range and variations available. All data buoy platforms can be tailored to meet user requirements regarding shape, navigation lights, radar reflectors, solar power supplies, monitoring systems, and moorings. Full installation and maintenance services are available.

Compliant with all IALA recommendations.



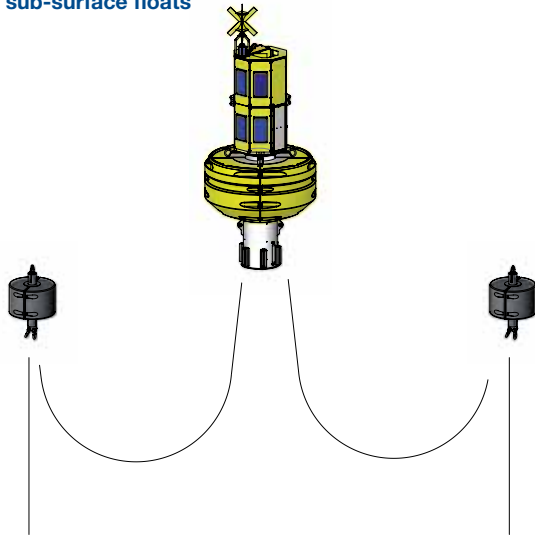


# specifications

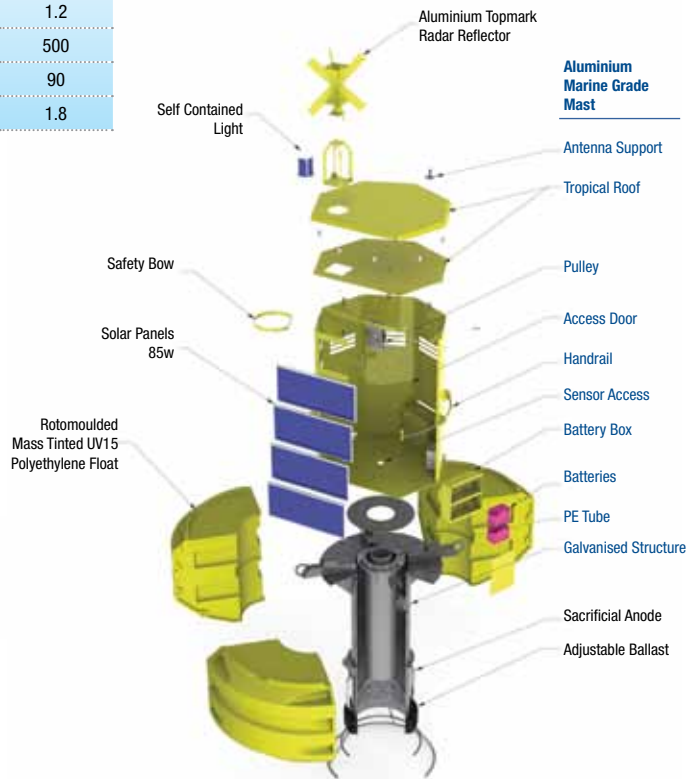
	DB 8000	DB 5700	DB 2000	DB 650	DB 500
Diameter m	3.0	2.6	1.9	1.2	1.2
Gross Buoyancy Kg	8000	5700	2000	650	500
Mass Kg	2140	2100	910	135	90
Focal Plane m	4.0	4.0	2.4	2.0	1.8

**Guidelines only.** See individual product datasheets for full specifications.

## typical two-point mooring with sub-surface floats



## Exploded view of an EOS data buoy



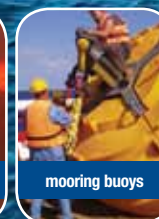
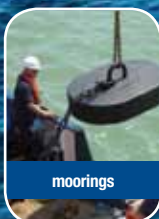
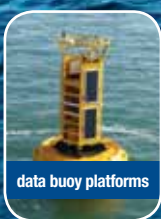
## the right data buoy for the job

To make sure you get the right data buoy for your requirements consider all the factors that will affect the visibility of the mark by day and by night including: depth of water; sea conditions and current; lighting and range of light required; shape and topmarks; and focal plane.

## about Hydrosphere

Hydrosphere is the UK's leading supplier of aids to navigation and has been providing cost-effective solutions to the marine industry for more than 18 years. We offer a wide range of navigation and mooring buoys, LED navigation lights, sector lights, rotating beacons, leading lights, jetty masts, beach and zone marking products and associated moorings. Rental, installation and maintenance services are also available for all our products and systems.

**For more information please contact us.**



the UK's leading supplier of aids to navigation

aquaculture | marinas & sailing clubs | ports & harbours | offshore renewable energy | oil & gas

t: +44 (0)1420 520374    www.hydrosphere.co.uk    e: sales@hydrosphere.co.uk