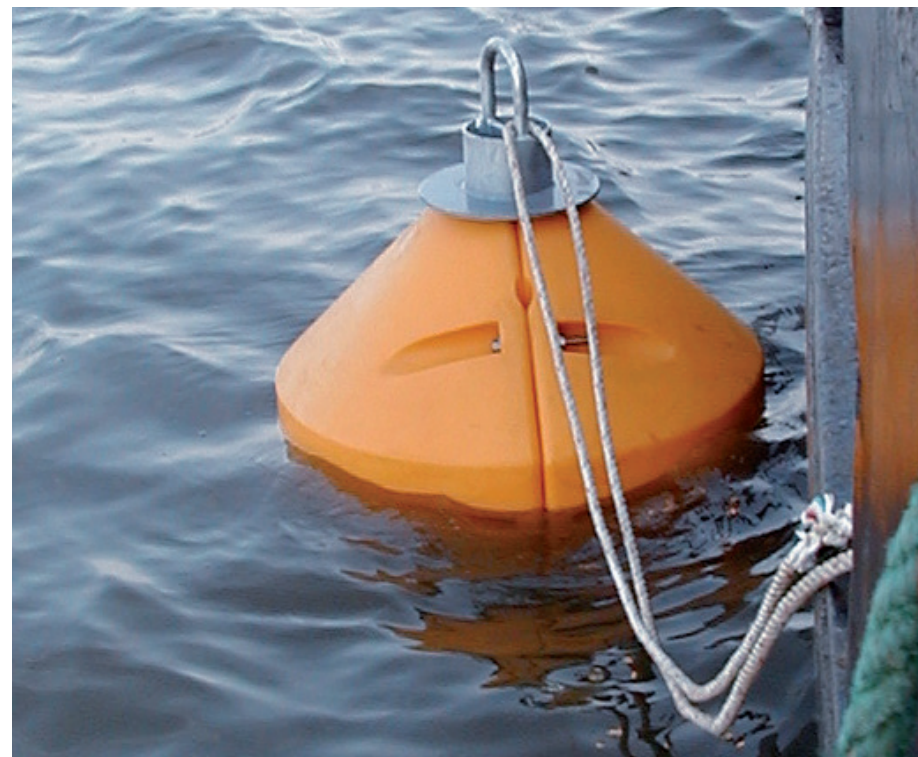


MOORING BUOYS

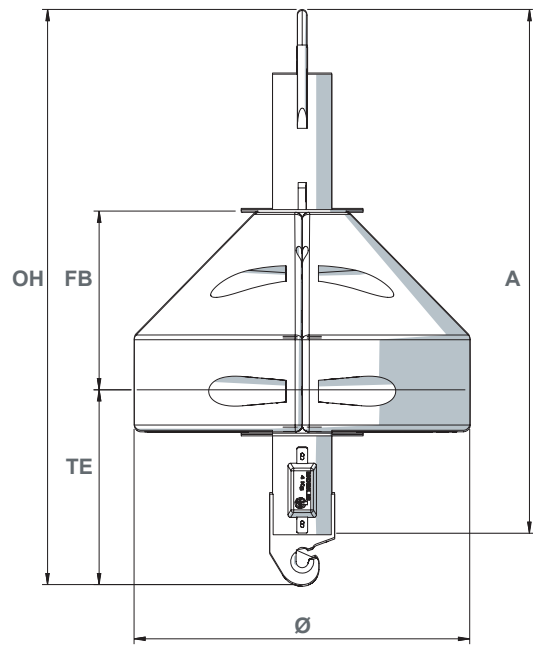


DIMENSIONS (m)

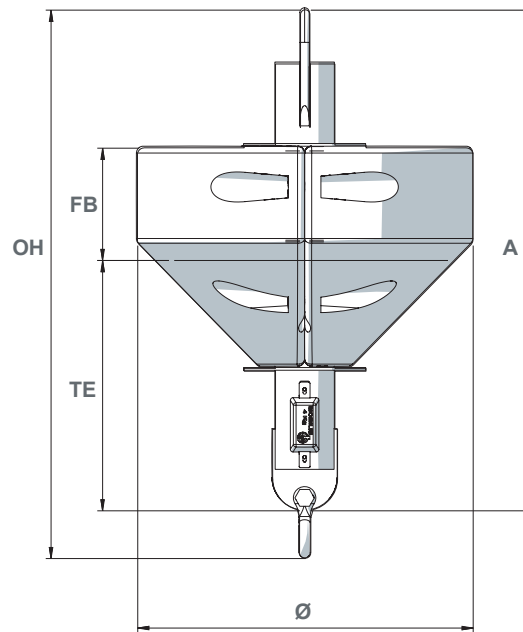
Model	AMR 600 G- HOOK	AMR 600	AMR 600 DOUBLE SHACKLE	AMR 600 CONE- UP
Ø: Diameter	1,2	1,2	1,2	1,2
OH : Overall height	2,1	2	2	1,5
TE : Draught	0,7	0,9	0,9	0,5
FB : Freeboard	0,6	0,4	0,4	0,6
A : Structure	1	1	1,2	—

SPECIFICATIONS

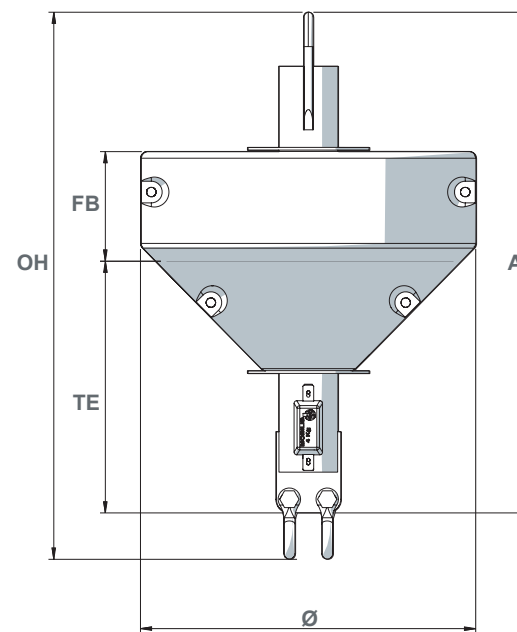
Model	AMR 600 G- HOOK	AMR 600	AMR 600 DOUBLE SHACKLE	AMR 600 CONE- UP
Weight (t)	0,17	0,16	0,18	0,22
Buoyancy (kg/cm)	12			
SWL (t)	12	12	12	12
Applications	High sea, coastal, estuary, ports, rivers	Coastal, estuary, ports, rivers	Coastal, estuary, ports, rivers	High sea, coastal, estuary, ports, rivers
Structure	Glassflake reinforced coated steel or hot dip galvanize			
Floats	Medium density polyethylene 16 years UV protected			



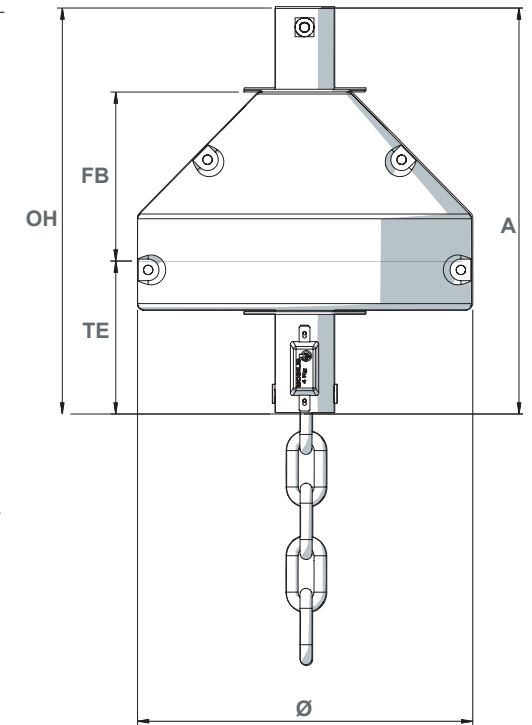
AMR 600 G-HOOK



AMR 600



AMR 600 DOUBLE SHACKLE



AMR 600 CONE UP
THROUGH-CHAIN

Non-contractual illustrations and photos