



## DIMENSIONS (m)

Model	AMR 2000	AMR 2000 2O	AMR 1500	AMR 1500 2O
Ø: Diameter	1,24		1,24	1,24
OH: Overall height	2,9		2,9	2,9
TE : Draught	0,7	1	0,7	1,1
FB: Freeboard	1,4	1,1	1,4	0,9
A: Structure	2,6	2,6	2,6	2,6

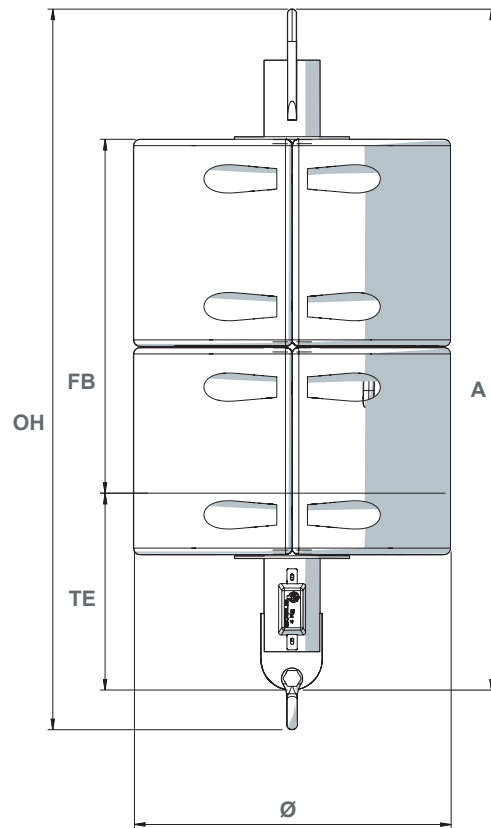
## SPÉCIFICATIONS

Model	AMR 2000	AMR 2000 2O	AMR 1500	AMR 1500 2O
Weight (t)	0,33		0,28	
Buoyancy (kg/cm)	12			
SWL (t)	12	12	12	12
Applications	High sea, coastal, estuary, ports, rivers			
Structure	Glassflake reinforced coated steel structur			
Floats	Low density polyethylene 16 years UV protected			

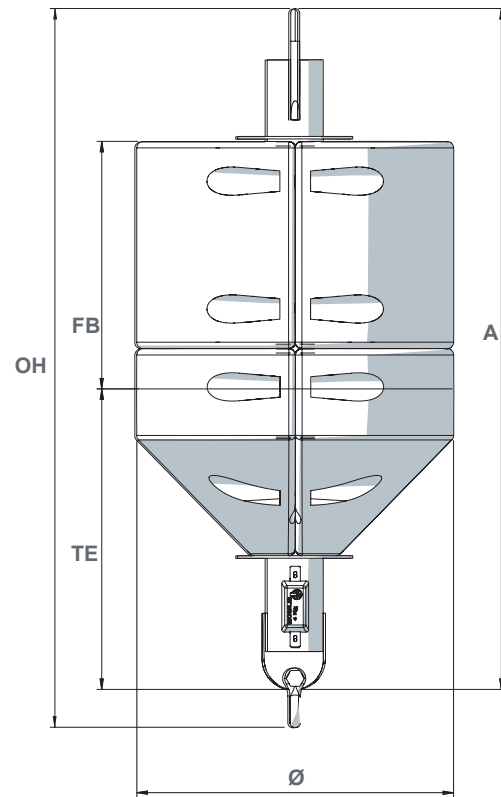


AMR 1000 STATIC T

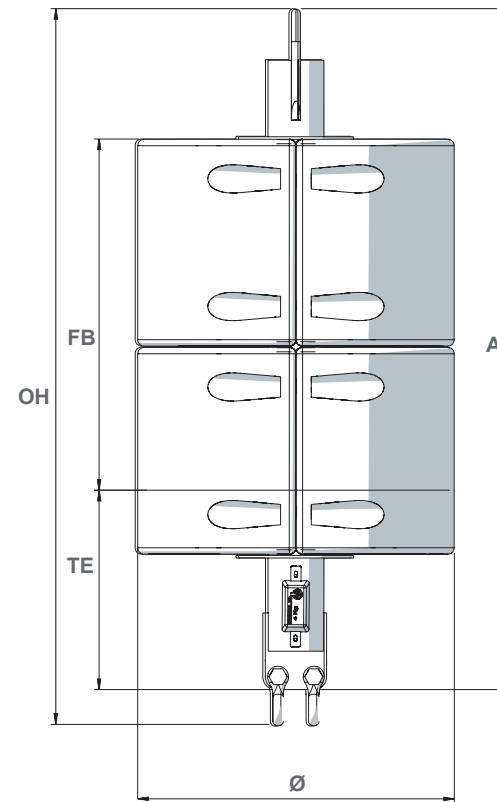
Anchoring elements (skackles, chains, swivels, sinkers) are available in the mooring accessories section in the catalogue



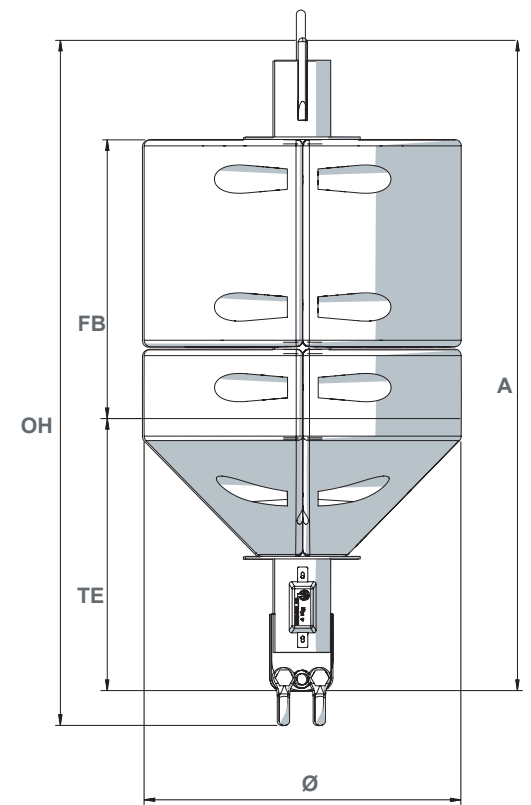
AMR 2000



AMR 1500



AMR 2000 20



AMR 1500 20

Non-contractual illustrations and photos