



DIMENSIONS (m)

Model	AMR 1000 static T	AMR 1000 10t	AMR 1000 10t
Ø: Diameter	1,24	1,24	1,24
OH: Overall height	1.75	1.75	1.75
TE : Draught	0,7	0,7	0,7
FB: Freeboard	0,6	0,5	0,5
A: Structure	1,7	1,8	1,8
B: Hauteur flotteur	0,8	0,8	0,8

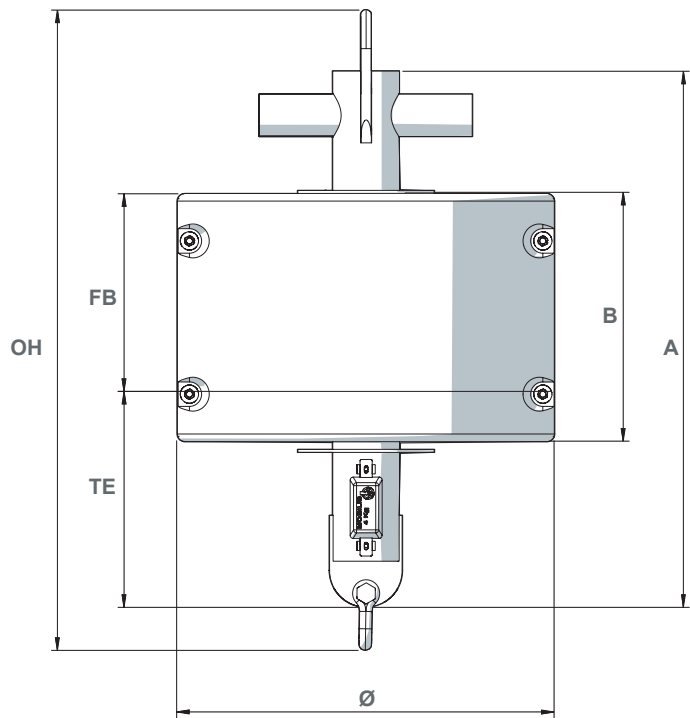
SPECIFICATIONS

Model	AMR 1000	AMR 1000 10t	AMR 1000 10t
Weight (t)	198	181	180
Buoyancy (kg/cm)		12	
SWL (t)		12	
Applications	High sea, coastal, estuary, ports, rivers		
Structure	Hot dip galvanized glassflake reinforced coated steel structur		
Floats	Medium density polyethylene 16 years UV protected		

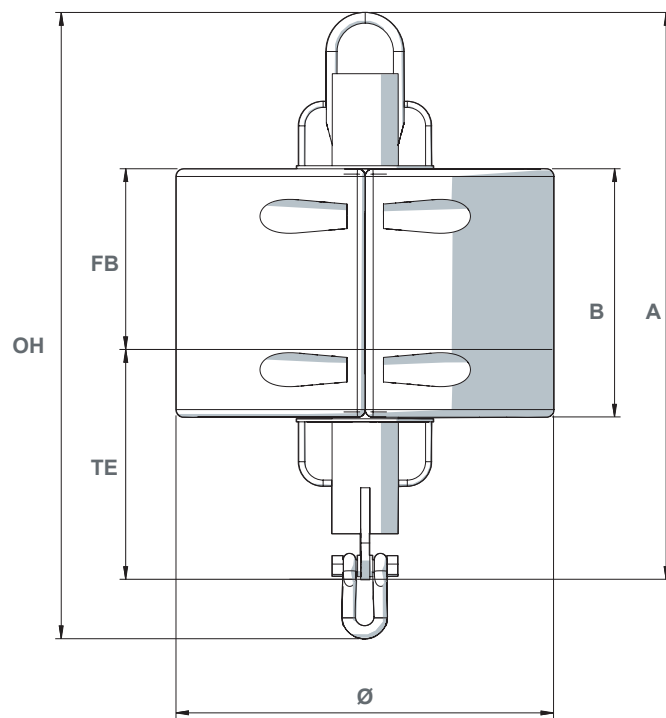


AMR 1000 STATIC T

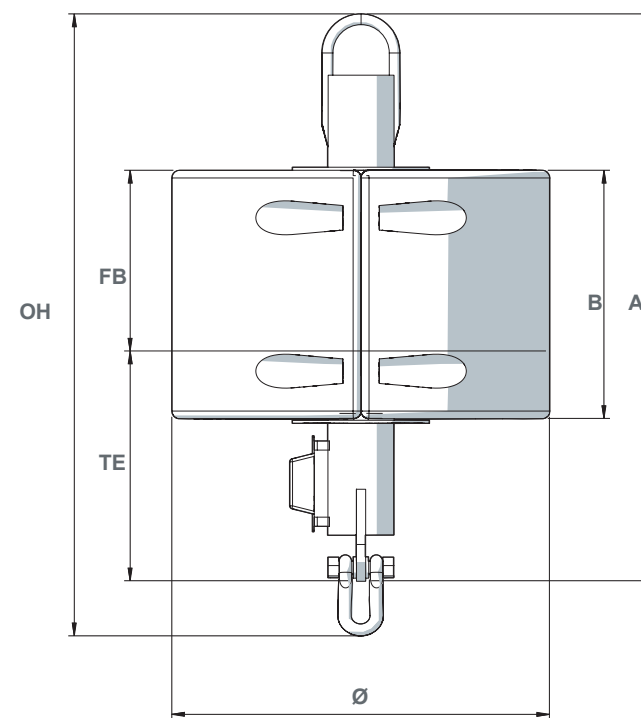
Anchoring elements (skackles, chains, swivels, sinkers) are available in the mooring accessories section in the catalogue



AMR 1000 STATIC T



AMR 1000 20t



AMR 1000 10t