



## VLS-46

**Adjustable LED sector light**  
**19 NM by night, 3 NM by day**

The VLS-46 is ideal for harbours with narrow or difficult approaches. The modular design allows up to seven projectors to be placed side by side. This can be used to create unique sector angles, flash patterns and intensities.

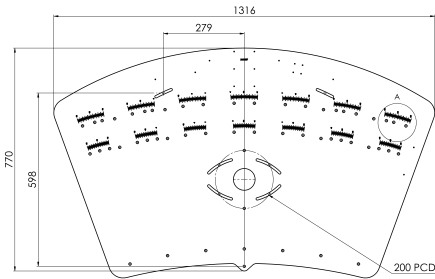
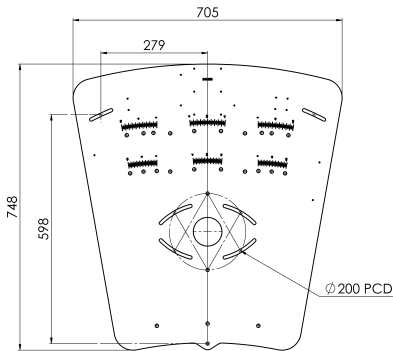
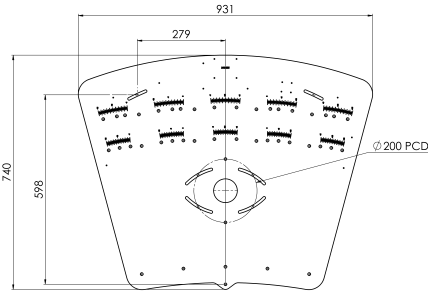
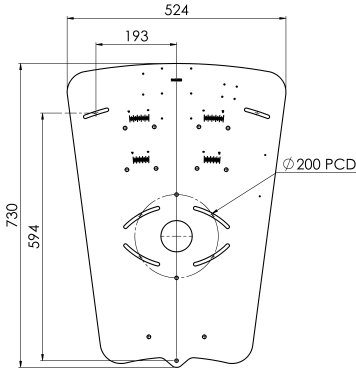
The VLS-46 has been designed to take advantage of the latest LED technology. The key features include:

- **Peak intensity up to 14800 cd**
- **Large vertical divergence for visibility by all types of vessels**
- **Only one tower is required, compared with range lights. This reduces the installation and maintenance cost by half**
- **Each projector can be individually adjusted to the width required for the application, within the limits defined in this brochure and product manual**
- **Energy-efficient LED technology is ideal for solar-powered sites**
- **Range 22,9 NM by night and 1,8 NM by day @ 0,85T**
- **Maintenance free design (no moving parts) will save money and time**
- **Lightweight marine-grade aluminium construction makes the unit light and easy to handle**



Performance

Product	Horizontal divergence	Vertical divergence @ peak intensity	Peak intensity red	Peak intensity green	Peak intensity white	Peak intensity yellow
VLS-46-5D	5°	3.6°	9 000 cd	8 300 cd	14 800 cd	12 300 cd
VLS-46-10D	10°	7.2°	2 300 cd	2 140 cd	3 480 cd	3 030 cd
<b>Power consumption @ peak intensity</b>			3 W	3.8 W	4.3 W	4.7 W



Optical specification

Light source	High Power Light Emitting Diode (LED)
Horizontal divergence	5°, adjustable from 0.5 – 5° (linear adjustment) 10°, adjustable from 1.0° – 10° (linear adjustment)
Temperature control	LEDs monitored for constant intensity control and over temp protection

Main technical specification

Nominal range	5 degrees, up to 15 NM 10 degrees, up to 12 NM
Lens	Acrylic and glass
Base	Marine grade aluminium
Body	Marine grade aluminium and injection moulded UV stable plastic
Designed service life	10 years
Weight	2.4 - 19.1 kg
Temperature range	-30° to +50°C / -22° to +122°F
Voltage	10 - 30 VDC
Solar charger	N/A
Degree of protection	IP67
Cable length	2 m / 6 m

Order Overview VLS-46

Product code

Code	Note
VLS-46-D-Cc(-Cc)(-Cc)(-GS)-BPY	
D	Divergence
C	Color (R, G, W, Y)
c	Quantity of projectors in that colour (1-7)
BP	Base plate ((BP2, BP3, BP5, BP7)

Option matrix

GS	Internal GPS sync module as factory option
----	--