



## VLL-43

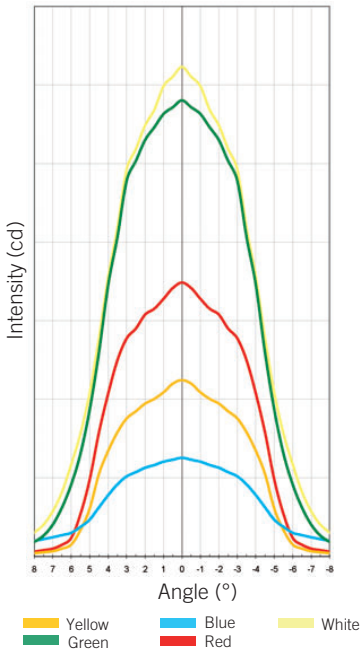
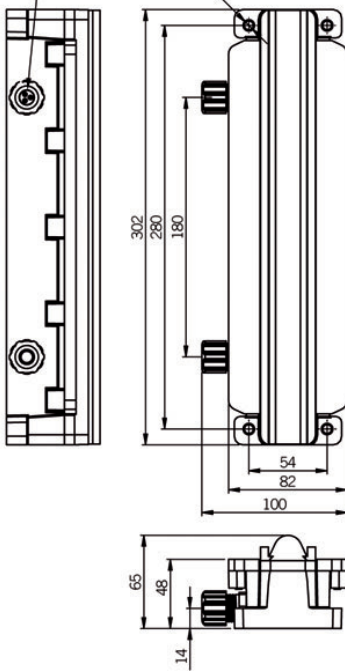
0,8 NM to 11,7 NM @ 0.74T

The VLL-43 Linear Lead Light is powerful unidirectional light ideal for marking short ranges and obstacles. The optical system utilises an acrylic lens to capture and project the light from the high-powered LEDs. The LEDs are precisely graded and placed to produce a light beam with minimum variation in intensity. Any number of these lights can be used to achieve the desired range. Each unit has its own control board and can be operated individually.

- Separate intensity settings for day
- Nine night/day transition settings
- Up to 246 standard flash characters
- Range 17,1 NM by night and 0,9 NM by day @ 0,85T
- One programmable custom character
- Wired synchronisation with options of master/slave
- Sync delay from 0.1 to 9.9 seconds
- Battery low voltage cut off
- Optional PIN code for programming
- External GPS synchronisation using the VSU-29 unit
- Automatic Schmidt-Clausen correction for intensity



REPLACED WITH 3 PIN SOCKET FOR PLUG AS SOCKET OPTION.  
2 CABLE GLANDS SUIT Ø6 TO Ø10 CABLE  
4 MOUNTING HOLES Ø6



**Optical performance**

Maximum peak intensity	8.5°	1740 cd	2 900 cd	1 120 cd	3 120 cd	630 cd
------------------------	------	---------	----------	----------	----------	--------

**Optical specification**

Light source	High Power Light Emitting Diode (LED)
Horizontal divergence	8.5° at 50% peak intensity 40° at 50% peak intensity 30° at 50% peak intensity
Vertical divergence	40° at 50% peak intensity 15° at 50% peak intensity 30° at 50% peak intensity
Temperature control	LEDs monitored for constant intensity control and over temperature protection

**Main technical specification**

Nominal range	Up to 11,7 NM
Lens	Machined cast acrylic
Base	Injection moulded UV stable plastic
Body	Marine grade aluminium anodises
Weight	1.4 kg
Flash character	246 standard characters
Temperature range	-30° to +60°C / -22° to +140°F
Voltage	12 VDC (9 - 18 VDC)
Solar charger	N/A
Degree of protection	IP68
Cable length	2 m / 6 m

**Order Overview VLL-43**

**Product code**

Code	Note
VLL43-c(-GS)	
c	Color (R, G, Y, W, B)

**Option matrix**

GS	External GPS synchronization using the VSU-29 unit
----	--