

## E58XX

### LED Indicator Panel

E58XX is a robust LED indicator panel for demanding industrial applications ranging from access control to equipment status monitoring. The design and manufacturing of the E58XX benefit from our years of experience in delivering LED based marine signaling, aviation obstruction, as well as road and railway traffic signals. While widely popular as a crane light, the E58XX is a superior choice for any signaling application requiring high reliability, resiliency and high quality optoelectronics.

- **“Fit and forget” maintenance-free lifetime exceeding 10 years, guaranteeing excellent reliability and dependability**
- **Low power consumption: approximately 0.5 to 4W per LED signal module**
- **No “phantom colour” effect: sunlight reflections from the unpowered modules are colourless**
- **Superior shock and vibration tolerance, ensuring trouble free use on mobile platforms**
- **Superslim form factor: overall dimensions of a panel with 3 lights are 150x465x40 mm, male 5-pole M12 receptacle typical for power supply; optional visors are available (75 x 90 mm)**
- **Any combination of LED modules emitting red, green, yellow, blue and white can be ordered**



**Optical Parameter (DC/AC)**

**Clear lens (Standard)**

Viewing angle 2θ½	25°	30°	30°	15°	20°
Luminous intensity @ centre of light beam	50cd	50/40cd	50/45cd	100/90cd	40cd
Luminous intensity @ ±45°	1.9cd	1.6cd	2.4cd	0.9cd	0.3cd

**Clear-erosion patterned**

Viewing angle 2θ½	25°	35°	35°	20°	35°/ 30°
Luminous intensity @ centre of light beam	30cd	30/25cd	30cd	50/40cd	25cd
Luminous intensity @ ±45°	1.5cd	1.5cd	2.0cd	1.0cd	0.5cd

**Semi-transparent**

Viewing angle 2θ½	25°	30°	30°	15°	30°
Luminous intensity @ centre of light beam	25/20cd	25/10cd	25/20cd	40/30cd	15cd
Luminous intensity @ ±45°	1.5cd	2/1.5cd	2cd	1.5cd	1.0cd

**Environmental**

Intrusion protection	IP67 or IP68
Temperature	-40°C to 70°C
Salt	Allow application in salt mist condition
Lens protection	IK08 (EN 50102)
Mechanical vibration	10-500Hz acceleration up to 2.2g

**Technical Specification**

Power requirement	E581X (DC): 21-28V E582X (50/60Hz): 100 - 200V
Power consumption	DC light module: 0.5 - 1.0W AC light module: 2.3 - 6.5W
Weight (w/o hard-wired power cable)	0.8kg - 3.2kg
Cable length	2 m / 6 m

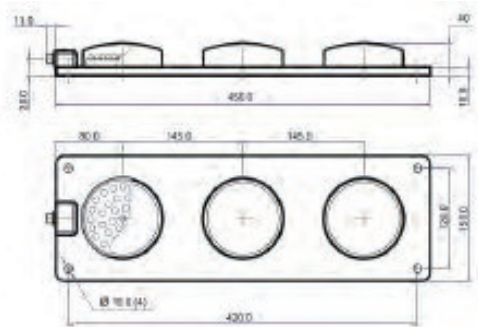
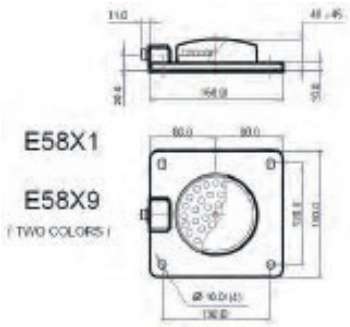
**Order Overview E58XX**

**Product code**

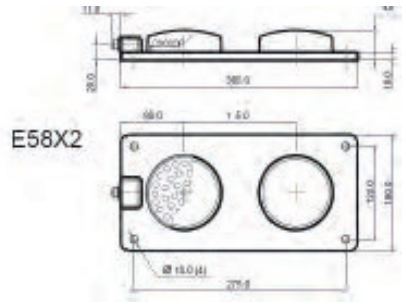
E58XN-CCCC-000	Note
X	Power supply (1 = 24VDC, 2 = AC, 3 = 12VDC)
N	Number of lights (1-4)
CCCC	Colour group (R, W, G, Y, B)
000	Option group (S, E, Cx, V) S = Semi-transparent E = Clear lens w/ erosion-patterned Cx = Hard-wired power supply cable; x = cable length V = VH (horizontally installed) or VV (vertically installed)

**Product code example: E5814-RYGB-EC6**

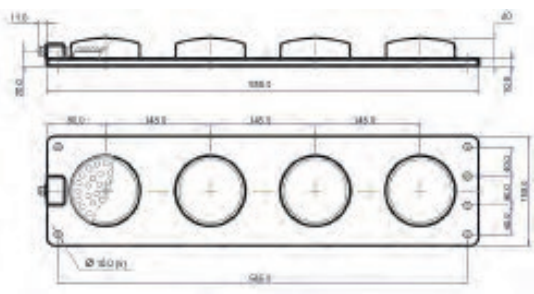
- **E5814-RYGB-EC6** is a LED Indicator Panel for 24 V DC operation
- Red, yellow, green and blue LED modules
- Erosion-patterned lens and a 6 m hard-wired power supply cable.



E58X3



E58X2



E58X4