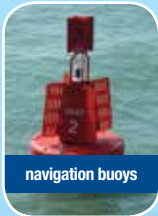




data buoy platforms



moorings



navigation buoys



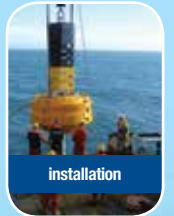
hydrosphere



navigation lights



mooring buoys



installation

the UK's leading supplier of aids to navigation

# mooring buoys

## PRODUCT SUMMARY

PORT, COASTAL AND DEEP SEA APPLICATIONS 🌀 ROTATIONALLY MOULDED MDPE FLOATS  
GALVANISED STEEL CENTRAL STRUCTURE 🌀 SAFE WORKING LOADS UP TO 300 TONNES  
4.0M - 1.2M DIAMETER 🌀 UP TO 17000KG BUOYANCY 🌀 MULTIPLE MOORING OPTIONS



mooring buoys



MOBILIS

# world-leading mooring buoys

Hydrosphere is the exclusive UK and Ireland distributor for world-leading Mobilis buoys. Since 1990, Mobilis has been designing and manufacturing versatile mooring buoys suitable for applications ranging from harbours and rivers to deep sea conditions.

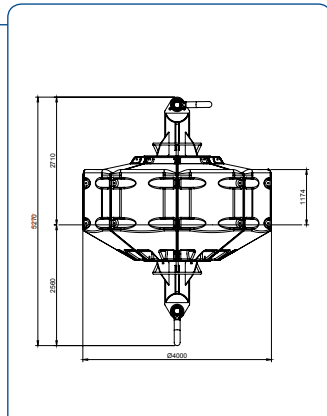
The Mobilis AMR series of mooring buoys are available in nine different size models from 4.0m to 1.24m diameter and are suitable for a complete range of boats from harbour launches to super tankers.

## large mooring buoys 4.0m-2.4m diameter (300T-50T safe working load)

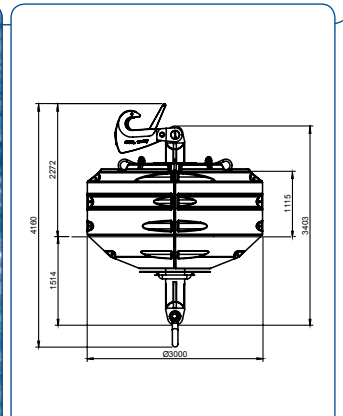
Suitable for most applications from ports to deep sea locations. Float sizes range from 4.0m to 2.4m diameter, providing up to 17000Kg gross buoyancy.



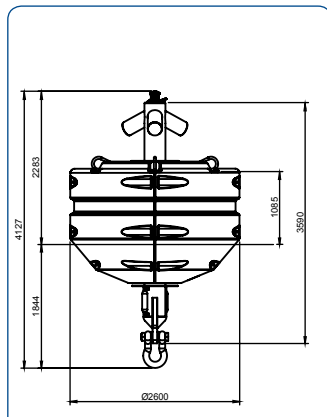
**AMR 17000**



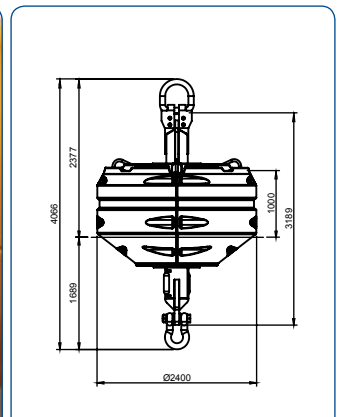
**AMR 9000**



**AMR 7000**



**AMR 5000**



## mooring point options

Four mooring options are available: a quick-release hook, shackle, static 'T', or D link. We will be happy to advise on the most suitable mooring option for your buoy. Please contact us for more information.

**quick-release hook**



**shackle**



**static 'T'**



**D link**

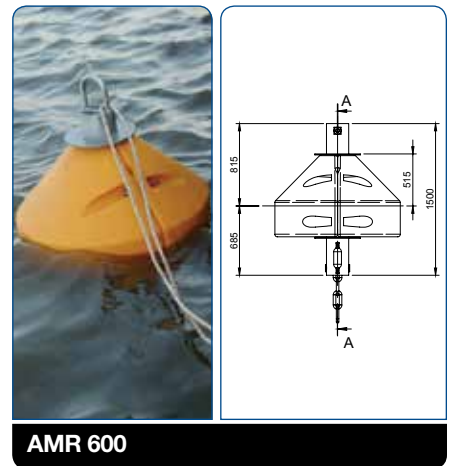
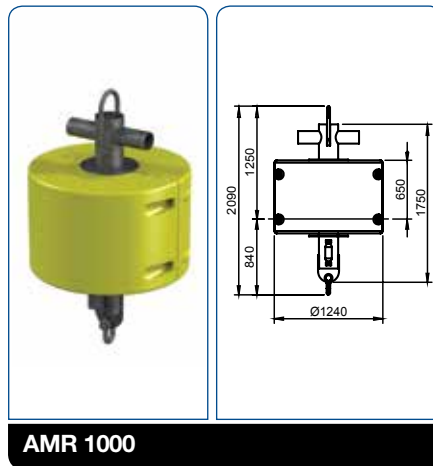
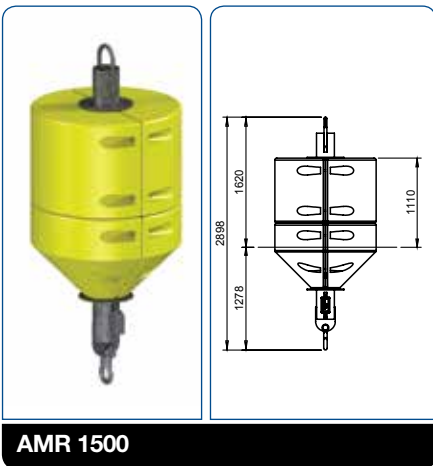
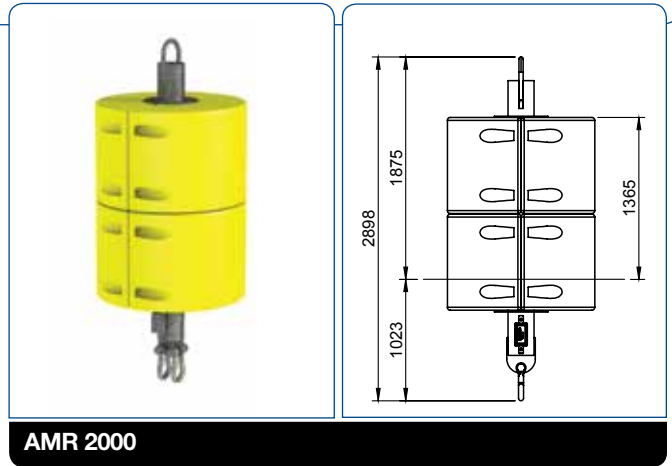
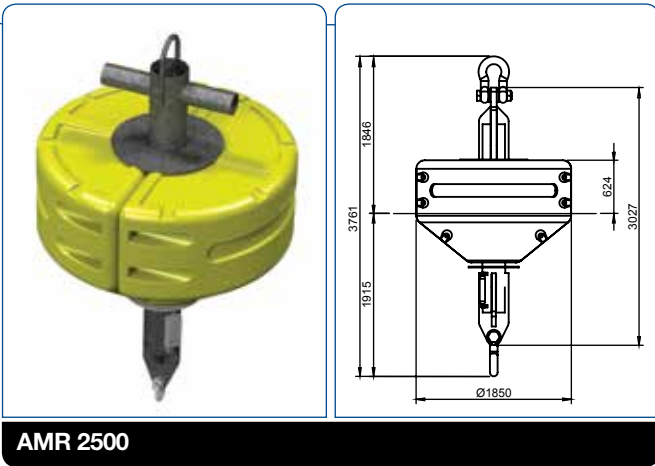


The buoys are constructed using rotationally moulded medium density polyethylene (MDPE) float sections, with a galvanised steel central structure providing a strong, lightweight buoy capable of supporting substantial loads. The MDPE absorbs minor impacts without damage to the buoy or vessel.

The buoys' modular design means they can be tailored to customer requirements, are easy to transport, and can have work carried out on components individually during assembly.

### medium mooring buoys 1.85m-1.24m diameter (60T-20T safe working load)

Suitable for most ports and coastal locations. The larger 1.85m diameter floats form the hull for the AMR 2500 while the cylindrical or conical 1.24m floats are used for the smaller models.



The mooring buoys illustrated in this product summary are a sample of the range and variations available. All buoys can be tailored to meet user requirements regarding size, buoyancy, mooring attachments and weight. Full installation and maintenance services are also available. **Contact us** for more information.

Compliant with all IALA recommendations.



mooring buoys

# specifications and applications

Buoy	Gross Buoyancy Kg	Diameter m	Height m	Weight (with shackles) Kg	Safe Working Load Tonnes	Draft m	Max Current Knots	Deep Sea	Coastal	Estuary	Ports	Rivers
AMR 17000 - 300T	17000	4.0	5.3	6000	300	2.6	14	✓	✓	✓	✓	✓
AMR 17000 - 200T	17000	4.0	5.1	4000	200	2.3	14	✓	✓	✓	✓	✓
AMR 9000 - 150T	9000	3.0	4.1	2000	150	1.8	11	✓	✓	✓	✓	✓
AMR 9000 - 85T / 70T	9000	3.0	4.1	2000	85 / 70	1.8	11	✓	✓	✓	✓	✓
AMR 7000	7000	2.6	4.0	1700	70 / 50	1.8	11	✓	✓	✓	✓	✓
AMR 5000	5000	2.4	4.0	1500	70 / 50	1.8	11	✓	✓	✓	✓	✓
AMR 2500	2500	1.85	3.5	950	60 / 20	1.9	11		✓	✓	✓	✓
AMR 2000	2000	1.24	2.9	300	12	1.2	11		✓	✓	✓	✓
AMR 1500	1500	1.24	2.9	280	12	1.2	11			✓	✓	✓
AMR 1000	900	1.24	2.0	250	12	0.9	11			✓	✓	✓
AMR 600 - Cone down	600	1.24	2.1	185	12	0.7	8			✓	✓	✓
AMR 600 - Cone up	600	1.24	1.5	185	12	0.6	8			✓	✓	✓

**Guidelines only.** See individual product datasheets for full specifications.

## the right mooring buoy for the job

The mooring buoy, chain and sinker / anchor should be considered a complete system; we can offer a mooring and buoy design service to ensure the correct buoy and mooring are supplied.

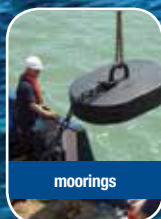
## about Hydrosphere

Hydrosphere is the UK's leading supplier of aids to navigation and has been providing cost-effective solutions to the marine industry for more than 20 years. We offer a wide range of navigation and mooring buoys, LED navigation lights, sector lights, rotating beacons, leading lights, jetty masts, beach and zone marking products and associated moorings. Rental, installation and maintenance services are also available for all our products and systems.

**For more information please contact us.**



data buoy platforms



moorings



navigation buoys



hydrosphere



navigation lights



mooring buoys



installation

the UK's leading supplier of aids to navigation

aquaculture | marinas & sailing clubs | ports & harbours | offshore renewable energy | oil & gas

t: +44 (0)1420 520374    www.hydrosphere.co.uk    e: sales@hydrosphere.co.uk