

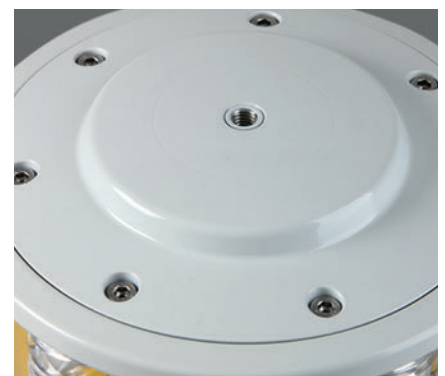
SC 160 II

Self-contained LED lantern for buoys and beacons

SC 160 II is a self-contained LED lantern with best in class optical performance for fixed and floating structures with longer range.

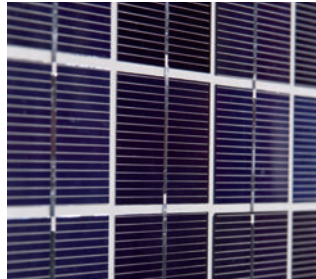
The lantern includes solar panels, battery and charge controller. This lantern is designed for harsh marine environments and for long uninterrupted operation.

- Range up to 10 NM (Tc=0,74) 14 NM (Tc=0,85) depending on geographical location
- Standard IALA colours Red, Green, White, Yellow
- Lantern made of rugged injection moulded aluminium housing and body of UV resistant polyethylene
- Integrated flasher with day-light switch and solar charger
- Standard VRLA battery and ventilated battery compartment
- Solar modules covered with tempered glass
- Adjustable intensity and range
- Available with narrow (5°) or wide (10°) vertical divergence
- Programmable with Bluetooth Control mobile app up to 50 m radius
- Other wireless programming options available such as Sabik Easy Programmer or PC/USB interface
- Integrated event log for 365 days
- Optionally integrated GPS synchronization and GSM Remote monitoring
- Auxiliary connector for external charger or external solar module





Bird spike
Bird spike with thread to be installed in the center of the lantern top.



Solar Modules
Solar modules with tempered glass front integrated in the PE-housing.



Remote monitoring
GSM unit and antenna integrated in the lantern for remote monitoring and control. For more information, please see the LightGuard Section.



Auxiliary connector
Auxiliary connector enables external charging or additional solar modules.



VRLA Battery
Maintenance free lead acid battery with a designed lifetime of 7 years.



Sabik Easy Programmer
User friendly and compact wireless two way programmer.



Bluetooth[®] Control
Lantern can be programmed and battery status checked up to 50 meters distance with an app for android 4.4. or above and for iOS.

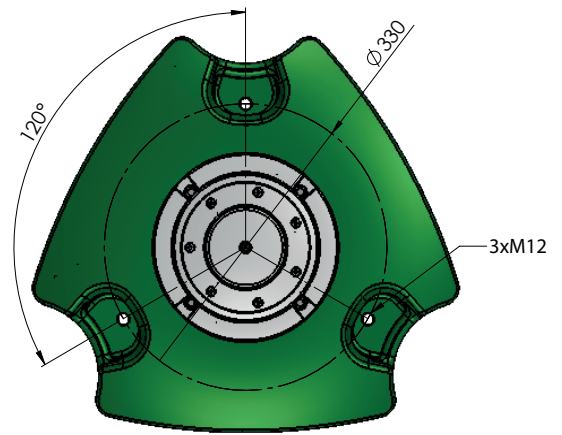
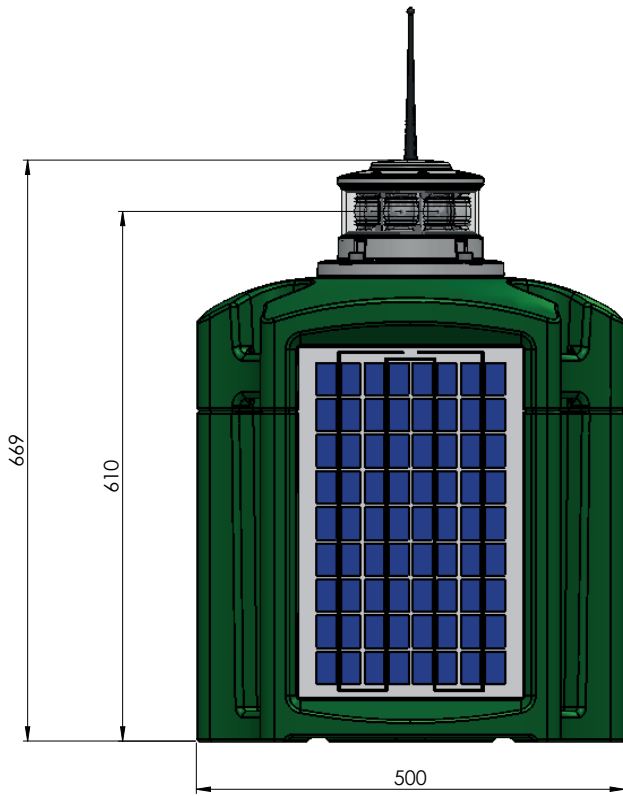


Programming with PC
Using Sabik USB interface.



Installation
Mounting holes with metal inserts.

Technical Specification SC 160 II



Optical Performance

| Maximum fixed intensity SC 160 IIN | | (5° @ 50% peak intensity) | | | |
|------------------------------------|---------|----------------------------|---------|---------|--|
| | 1150 cd | 1200 cd | 1000 cd | 1850 cd | |
| Power consumption | 13W | 16W | 16W | 16W | |
| Maximum fixed intensity SC 160 IIW | | (10° @ 50% peak intensity) | | | |
| | 620 cd | 720 cd | 620 cd | 1100 cd | |
| Power consumption | 13W | 16W | 16W | 16W | |

Main Technical Specification

| | |
|---------------------------------|---------------------------------------------------------------------|
| Lens visual/Mechanical diameter | 160 mm |
| Lens material | UV stabilized acrylic |
| Light source | High Power Light Emitting Diodes (LEDs) |
| Vertical divergence | 5°@50% of peak intensity (FWHM) 10°@50% of peak intensity (FWHM) |
| Solar modules | 3 x 11 W |
| Battery | VRLA GEL-Type, 60Ah/12V |
| Weight | 35 Kg |
| Overall height | 669 mm |
| Overall width | 500 mm dia. |
| Power consumption | 13W - 16W |
| Installation | 3 x M12 on 330 mm dia. |

Order Overview SC 160 II

Option matrix

| | |
|---------------------------------|----------------------------------------------------------------|
| Optical feedback OPT 1L | Integrated LED performance measurement |
| GPS sync OPT 4L | Integrated GPS sync including GPS antenna |
| LightGuard GSM + GPS OPT 9L | Integrated GSM/GPS based monitoring including GSM/GPS antennas |
| Battery control card OPT 11L | Control card for secondary (emergency) battery |

SC160 II with VRLA Battery

| N = Narrow (5° @ 50 % peak intensity) | | W = Wide (10° @ 50 % peak intensity) | |
|---------------------------------------|------------|--------------------------------------|------------|
| Red | SC160-2NVR | Red | SC160-2WVR |
| Yellow | SC160-2NVY | Yellow | SC160-2WVY |
| Green | SC160-2NVG | Green | SC160-2WVG |
| White | SC160-2NVW | White | SC160-2WVW |

Example: SC160-2WVR-OPT4

- SC160-2WVR is the code for SC160 II with VRLA battery and wide lens in red
- with selection of option 4L GPS sync including GPS antenna