

LO 200

High Intensity LED Range Light Signal

The LO 200 signal is designed for applications requiring medium and long range directional light, such as range lights and port entry signals.

- High intensity precision range light
- Intensity adjustable from 5% to 100%
- Housing fully waterproof with PTFE vent for breathing
- Visual range up to 15 NM (Tc = 0,74)
- Standard IALA colours Red, Green, White and Yellow
- Low power consumption, ideal for solar system
- Flasher with daylight switch can be integrated in lantern or installed externally in battery cabin
- Integrated 16 ampere PWM solar panel regulator when flasher is integrated
- Programmable with Sabik standard IR programming devices
- Optionally internal GPS synchronization
- Optional night time reduction if operated day and night
- Optionally available with Bluetooth® programming





Aluminium housing
The lantern enclosure is made from marine grade aluminium.



Sun shield
Protects lens from dust and bird droppings. Improves contrast in daytime use.



Installation
The lantern can easily be installed on any flat surface with four M10 size bolts.



PTFE breathing
Vent for pressure release in the back of the lantern.



Polycarbonate lens
The optical lens consists of 120 pcs miniature Fresnel elements creating a high efficient precision beam.



Sabik Easy Programmer
User friendly and compact wireless two-way programmer.



Precision alignment
A gun sight can be utilized for precision alignment to the center line of the range.

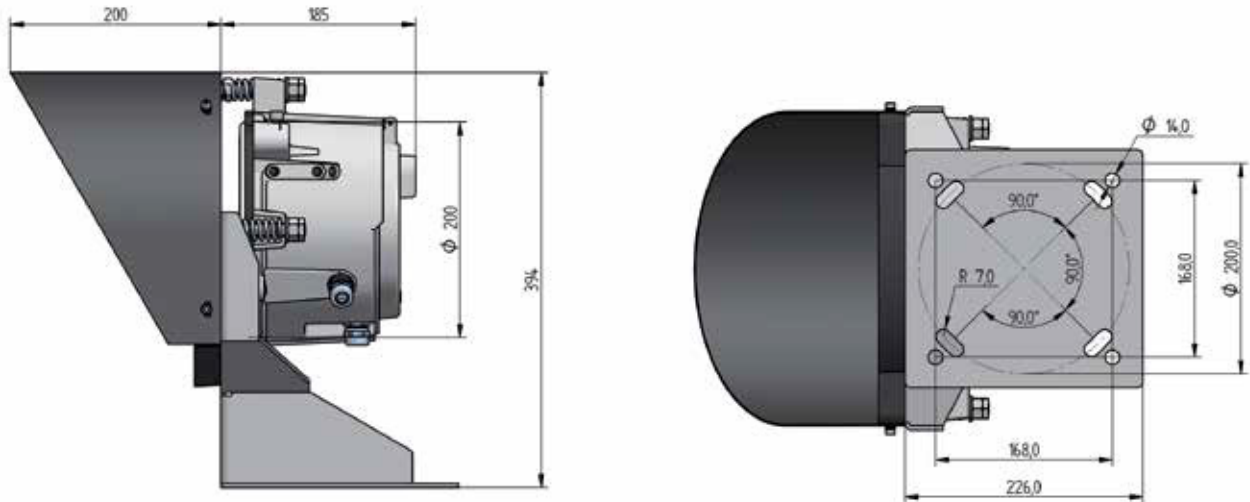


Level indicator
The integrated level indicator makes horizontal levelling easy.



Light beam adjustment
The direction of the light beam can be adjusted with 3 bolts. The 3 axis adjustment system enables both vertical and horizontal alignment.

Technical Specification LO 200



Optical performance

Maximum fixed intensity

At full power 12/15 W	20.000 cd	20.000 cd	25.000 cd	20.000 cd
--------------------------	-----------	-----------	-----------	-----------

Main Technical Specification

Lens visual/Mechanical diameter	203 mm (8")
Lens material	UV stabilized Polycarbonate
Light source	Light Emitting Diodes (LEDs)
Lens divergence (horizontal and vertical)	4° @ 50 % (± 1°) of peak intensity 8° @ 10 % (± 2°) of peak intensity
Unit lifetime	Up to 10 years
Weight	8 kg
Temperature range	-40°...+60°C
Supply Voltage	9 – 32 VDC
Power consumption	15 watts red /yellow, 12 watts green/ white at full intensity
Degree of protection	IP 66

Order Overview LO 200

Option matrix

OPT 1: Optical Feedback System	Integrated LED performance measurement
OPT 4: GPS sync	Integrated GPS sync excluding GPS antenna
OPT 7: External GPS	External GPS antenna for OPT 4 and OPT 9
OPT 9: LightGuard GSM + GPS	Integrated GSM based monitoring including GSM/GPS antennas
OPT 10: LightGuard GSM	Integrated GSM based monitoring including GSM antenna
OPT 11: Control card	Control card for secondary battery
OPT 12: Aux card with I/O	Aux card including I/O ports
OPT 13: Aux card with RS485 and I/O	Aux card including RS 485 and I/O port
Shock & Tilt Sensor	Integrated 3-axis G sensor for tilt and shock sensing

Product codes

Product	Colour
LO 200W	white
LO 200R	red
LO 200G	green
LO 200Y	yellow

Product code example: LO 200GOPT11

- LO 200G is Sabik code for LO 200 in green
- with a selection of option 11 control card