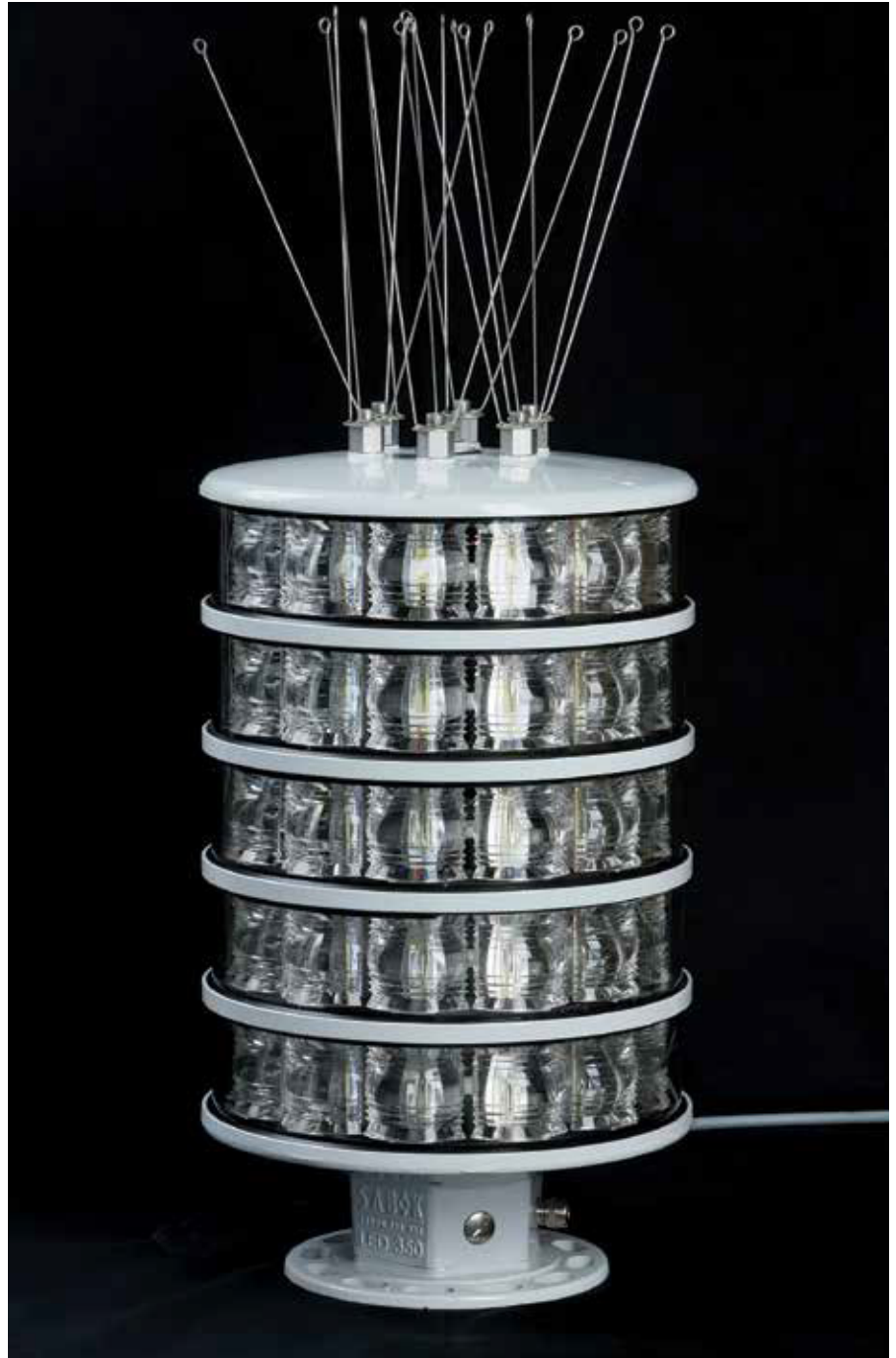


LED 350H

High Power LED lantern
for fixed installations

A LED beacon capable of visual ranges up to 18 NM. LED 350H is designed to substitute rotating beacons with a considerably smaller power consumption.

- Up to 15.000 cd luminous intensity per tier at only 90 watts
- Can be supplied with up to 5 tiers. Max luminous intensity an impressive 75.000 cd
- Rugged aluminium housing for installation in marine environments
- Low power consumption, suitable for solar and battery operation
- Integrated flasher with daylight switch and a 16 A solar panel charger
- Field adjustable intensity and range
- Programmable with Sabik standard IR programming devices
- Integrated 365 day event log
- Optionally integrated GPS synchronization
- Optionally integrated GSM Remote monitoring
- Optionally available with Bluetooth® programming



The performance of the lantern has been achieved thanks to a especially designed lens.



Bird spikes
Stainless steel bird deterrents as standard. Easy to replace. Offers great protection.



Level indicator
The lantern can easily be levelled in field using the integrated bubble level indicator.



IR port and photocell
Combined infrared communication port and photocell is located on the base of the lantern.



Grounding plug
The base plate has a grounding plug as standard to enable good protection against electromagnetic interference.

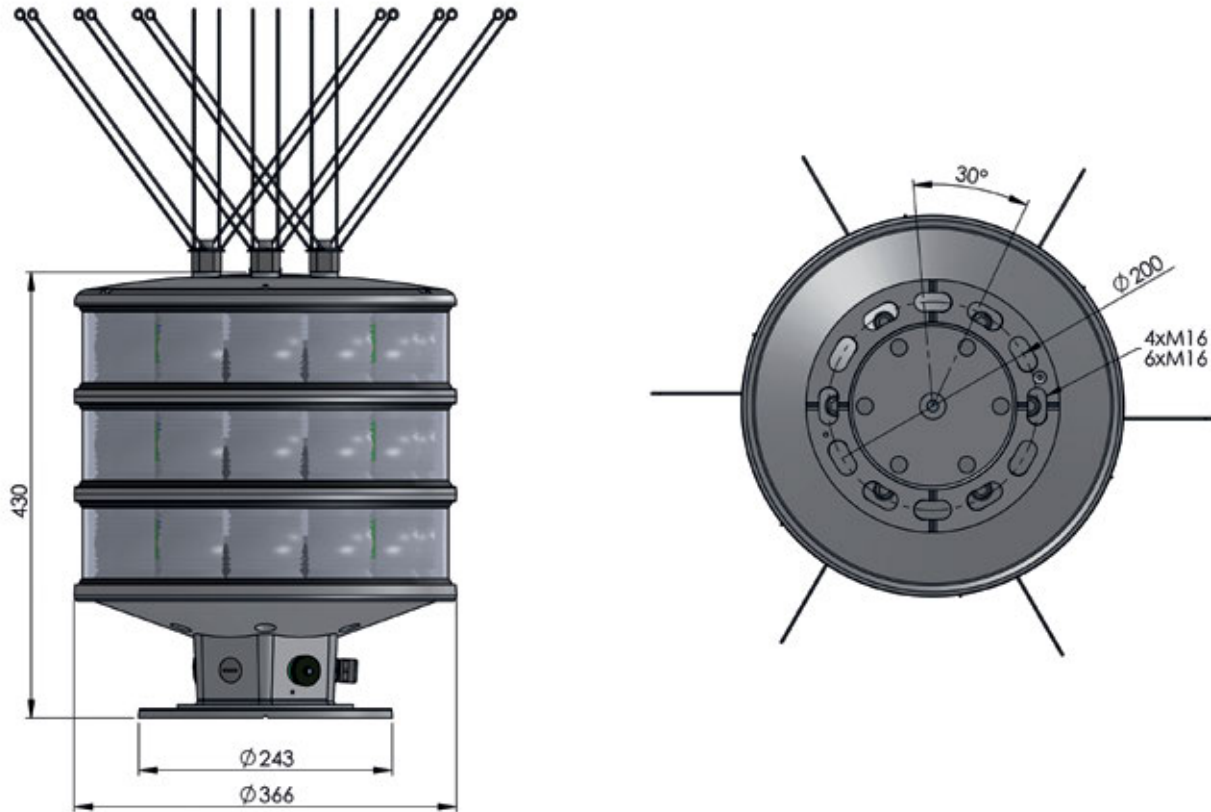


Additional cable entry
Equipped as standard with two cable entries. If the second entry is needed e.g. for a solar module standard M20 cable gland can be fitted.



Sabik Easy Programmer
User friendly and compact wireless two-way programmer.

Technical Specification LED 350H



Optical performance

Maximum fixed luminous intensity

1-tier, 90 W	4.500 cd	8.000 cd	15.000 cd
2-tier, 180 W	9.000 cd	16.000 cd	30.000 cd
3-tier, 270 W	13.500 cd	24.000 cd	45.000 cd
4-tier, 360 W	18.000 cd	32.000 cd	60.000 cd
5-tier, 450 W	22.500 cd	40.000 cd	75.000 cd

Main Technical Specification

Lens visual/Mechanical diameter	350 mm
Lens material	UV stabilized Polycarbonate
Light source	High Power Light Emitting Diodes (LEDs)
Vertical divergence	1.5° @ 50 % (± 0.3°) and 3° @ 10 % (± 0.5°) of peak intensity
Unit lifetime	Up to 10 years
Weight	12 kg for single tier unit, add 4 kg for each tier
Temperature range	-40°...+60°C
Supply Voltage	20 – 32 VDC
Solar panel charger	16 ampere PWM charger. Solar panel production (Ah) is logged
Power consumption	90 watts/tier
Degree of protection	IP 67

Order Overview LED 350H

Option matrix

OPT 1: Optical Feedback System	Integrated LED performance measurement
OPT 4: GPS sync	Integrated GPS sync excluding GPS antenna
OPT 7: External GPS	External GPS antenna for OPT4 and OPT9
OPT 9: LightGuard GSM + GPS	Integrated GSM based monitoring including GSM/GPS antennas
OPT 10: LightGuard GSM	Integrated GSM based monitoring including GSM antenna
OPT 11: Control card	Control card for secondary battery
OPT 12: Aux card with I/O	Aux card including I/O ports
OPT 13: Aux card with RS485 and I/O	Aux card including RS 485 and I/O port
Shock & Tilt Sensor	Integrated 3-axis G sensor for tilt and shock sensing

Product codes

Colour	white	red	green
LED 350H 1 tier	LED 350H 1W	LED 350H 1R	LED 350H 1G
LED 350H 2-tier	LED 350H 2W	LED 350H 2R	LED 350H 2G
LED 350H 3-tier	LED 350H 3W	LED 350H 3R	LED 350H 3G
LED 350H 4-tier	LED 350H 4W	LED 350H 4R	LED 350H 4G
LED 350H 5-tier	LED 350H 5W	LED 350H 5R	LED 350H 5G

Product code example: LED 350H 3WOPT9/OPT7

- LED 350H 3W is Sabik code for a three-tier LED 350H with lens in white
- with a selection of OPT9 and OPT7

LED 350H 12V

LED350H is also available with supply voltage 10-18 VDC for one and two layer lanterns. There is no internal solar panel charger integrated in this 12V model lantern.

Product codes for 12VDC white lantern

1 LAYER	LED 350H 1W 12V
2 LAYERS	LED 350H 2W 12V