



data buoy platforms



moorings



navigation buoys



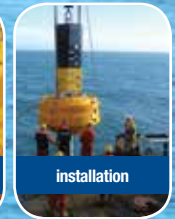
hydrosphere



navigation lights



mooring buoys



installation

the UK's leading supplier of aids to navigation

Mobilis Trackless

marker buoy



MOBILIS

The Trackless unit is a cost-effective, streamlined platform designed to minimise the heeling problems associated with strong tidal flow. The carefully designed combination of hull and rudder plate attains superior stability and six times less drag than a conventional buoy of similar size.

The 0.9m wide and 2.0m long hull will accept the same daymark and topmark sections as the M 1200 buoy and can easily be fitted with a small self contained light.

Manufactured using rotationally moulded medium density polyethylene (MDPE), the buoy's simple construction is low maintenance and extremely lightweight. It is therefore easy to handle and can be maintained using small vessels. The buoy can be deployed using the three lifting eyes and the design of the hull/rudder will allow maintenance crew to lay the buoy on its side when working on deck.

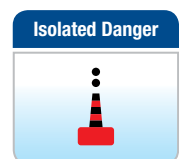
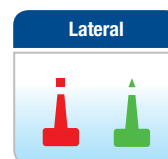
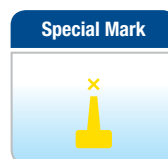
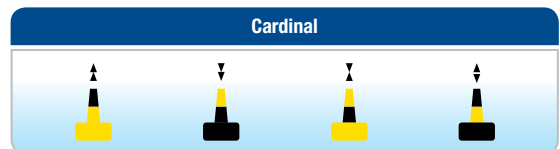


navigation buoys

features:

- UV stabilised MDPE construction - retains colour within IALA guidelines for more than 15 years
- Single point mooring configuration
- Wide range of self contained solar lights accepted
- Extremely low maintenance
- Careful design attains low drag and superior stability qualities
- Suitable for radar reflectors
- Modular system reduces spares holding

buoy configurations



Mobilis Trackless

specifications and applications

construction

Hull / Daymark	Foam filled MDPE
Topmark (optional)	Marine grade aluminium

physical

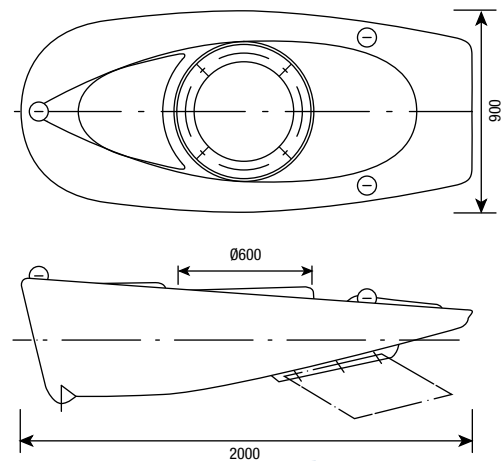
Length m	2.0
Width m	0.9
Mass Kg	65
Max Ballast Kg	N/A
Max Kg	65
Focal Plane m	1.3
Draft m	0.5

application

River	✓
Inshore	✓
Estuary	✓
Coastal	
Max. Current	Up to 10 Knots

mooring

Type	Single Point synthetic/light chain
Chain mm	8 - 16
Sinker Kg	1000 +



the right buoy for the job

To make sure you get the right buoy for your requirements consider all the factors that will affect the visibility and stability of the mark including: depth of water; sea conditions and current; lighting and range of light required; shape and topmarks; and focal plane.

mooring tips:

The mooring is an integral part of the system that will affect the performance and reliability of the buoy. On problematic locations we recommend a detailed mooring study be carried out to maximise reliability and minimise future maintenance costs.



hydrosphere

about Hydrosphere

Hydrosphere is the UK's leading supplier of aids to navigation and has been providing cost-effective solutions to the marine industry for more than 20 years. We offer a wide range of navigation and mooring buoys, LED navigation lights, sector lights, rotating beacons, leading lights, jetty masts, beach and zone marking products and associated moorings. Rental, installation and maintenance services are also available for all our products and systems.

For more information please contact us.

data buoy platforms | moorings | navigation buoys | navigation lights | mooring buoys | installation

t: +44 (0)1420 520374

www.hydrosphere.co.uk

e: sales@hydrosphere.co.uk

Compliant with all IALA recommendations.

