



data buoy platforms



moorings



navigation buoys



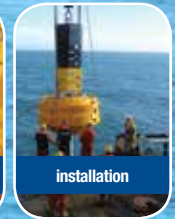
hydrosphere



navigation lights



mooring buoys



installation

the UK's leading supplier of aids to navigation

Mobilis JET 5000 QI/QL/FB & JET 4000 J



MOBILIS

2.4m diameter navigation buoys

The JET 5000 and JET 4000 are the third largest buoys in the JET series with a 2.4m diameter hull that provides up to 5000Kg of buoyancy. They are suitable for use in offshore, deepwater and large river applications where high visibility is required.

The JET 5000 is available with intermediate tailtube (QI), long tailtube (QL) or flat bottom (FB) options and the JET 4000 is skirted (J). The tailtube options provide a high focal plane whilst the flat bottom is suitable for use in shallow and fast water, particularly where there is a risk of grounding.

The buoys are constructed around a galvanised steel central structure with marine grade aluminium tower and topmark assemblies and medium density polyethylene (MDPE) hull floats.

The buoys' modular design allows for commonality of parts to reduce maintenance, inspection, replacement and spares holding costs. The buoys are also much lighter and therefore easier to handle than traditional GLA Class 2 steel buoys, and they can be maintained using smaller vessels.



navigation buoys

features:

- UV stabilised MDPE components - retains colour for more than 15 years
- Modular system - reduces spares holding
- Highly stable with focal plane of up to 6m
- Multiple mooring configurations including high current capability
- Wide range of navigation lights accepted
- Suitable for radar reflectors and racon
- Flat bottom option for shallow water applications
- Built-in safety features such as a non-slip deck

buoy configurations

Cardinal	Lateral
Special Mark	Safe Water
	Isolated Danger

Mobilis JET 5000 QI/QL/FB & JET 4000 J

specifications and applications

construction

Central Structure	Galvanised steel
Hull	MDPE (4 float sections)
Tower / Daymark	Marine grade aluminium
Topmark & Radar Reflector	Marine grade aluminium

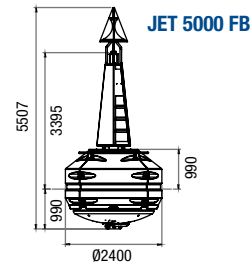
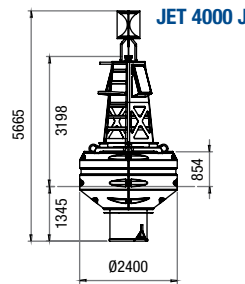
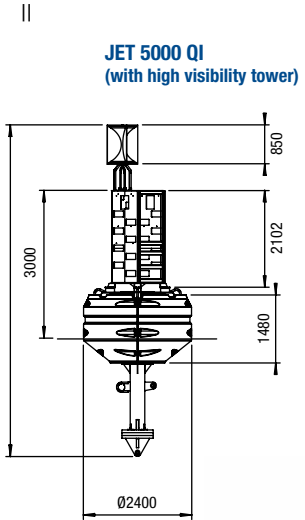
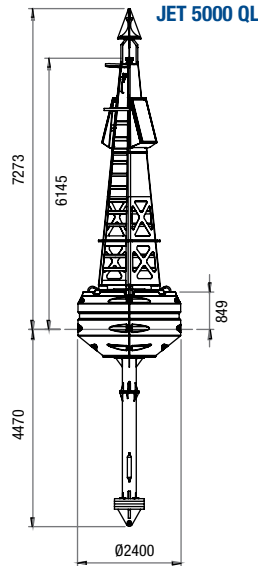
physical	5000 QI/QL	5000 FB	4000 J
Diameter m	2.4	2.4	2.4
Mass Kg	1450	1260	1250
Max Ballast Kg	400	250	400
Max Kg	1850	1510	1650
Gross Buoyancy Kg	5000	5000	4000
Reserve Buoyancy Kg	3150	3490	2350
Max Focal Plane m	QI	QL	
	5.0	6.0	
Draft m	2.6	4.5	1.0
Overall Height m (exc. topmark)	8.9	11.7	5.5

application

Inshore	✓
Estuary	✓
Coastal	✓
Offshore	✓ (QI and QL)

mooring

Type	Single Point / Bridle
Chain mm	25 - 32
Sinker Kg	3000 +



the right buoy for the job

To make sure you get the right buoy for your requirements consider all the factors that will affect the visibility and stability of the mark including: depth of water; sea conditions and current; lighting and range of light required; shape and topmarks; and focal plane.

mooring tips:

The mooring is an integral part of the system that will affect the performance and reliability of the buoy. On problematic locations we recommend a detailed mooring study be carried out to maximise reliability and minimise future maintenance costs.



hydrosphere

about Hydrosphere

Hydrosphere is the UK's leading supplier of aids to navigation and has been providing cost-effective solutions to the marine industry for more than 20 years. We offer a wide range of navigation and mooring buoys, LED navigation lights, sector lights, rotating beacons, leading lights, jetty masts, beach and zone marking products and associated moorings. Rental, installation and maintenance services are also available for all our products and systems.

For more information please contact us.

data buoy platforms | moorings | navigation buoys | navigation lights | mooring buoys | installation

t: +44 (0)1420 520374

www.hydrosphere.co.uk

e: sales@hydrosphere.co.uk

Compliant with all IALA recommendations.

