

the UK's leading supplier of aids to navigation

Mobilis FB 1241 & FB 1242



MOBILIS

1.24m diameter flat bottom navigation buoys

The FB 1241 and FB 1242 are robust, medium-sized buoys with patented, flat steel bottoms making them ideal for strong tidal flows.

The flat bottom construction helps keep the buoy upright on low and drying tide conditions, protects the PE hull assembly should the buoy take the ground and provides a stable focal plane in shallow waters where there is little mooring weight.

The buoys are constructed around a central galvanised steel core structure and use common hull floats manufactured from UV stabilised medium density polyethylene (MDPE). The FB 1241 is fitted with conical floats providing 600Kg of buoyancy, whilst the cylindrical floats of the FB 1242 provide 900Kg of buoyancy. A variety of daymark assemblies are available. Please contact us for more information.

The buoys' modular design allows for commonality of parts to reduce maintenance, inspection, replacement, and spares-holding costs. The buoys also weigh less than a comparable steel model making them easier to handle and enabling them to be maintained using smaller vessels.

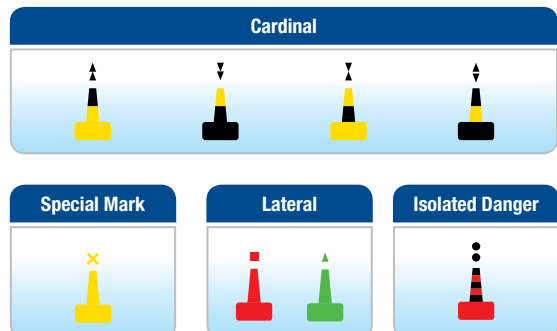


navigation buoys

features:

- Extremely stable - highly suited for use in strong tidal flows
- Available in Lateral, Cardinal, Isolated Danger and Special Mark configurations
- UV stabilised MDPE components - retains colour for more than 15 years
- Single point mooring
- Wide range of self contained solar lights accepted
- Patented, robust steel bottom
- Modular system - reduces spares holding

buoy configurations



aquaculture | marinas & sailing clubs | ports & harbours | offshore renewable energy | oil & gas

t: +44 (0)1420 520374 www.hydrosphere.co.uk e: sales@hydrosphere.co.uk

Mobilis FB 1241 & FB 1242

specifications and applications

construction

Central Structure	Galvanised steel
Hull	MDPE (2 float sections)
Daymark	Marine grade aluminium or HDPE

physical

Diameter m	1.24
Mass Kg	270
Max Ballast Kg	N/A
Max Kg	270
Gross Buoyancy Kg	FB 1241: 600 / FB 1242: 900
Reserve Buoyancy Kg	630
Focal Plane m	Up to 2.0
Draft m	0.6
Overall Height m (exc. topmark)	Up to 2.6

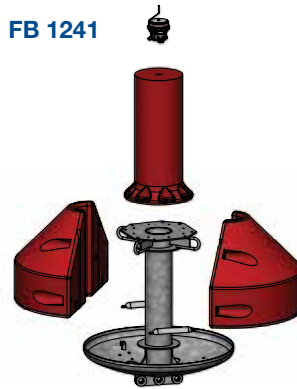
application

Inshore	✓
Estuary	✓
Coastal	✓
Offshore	

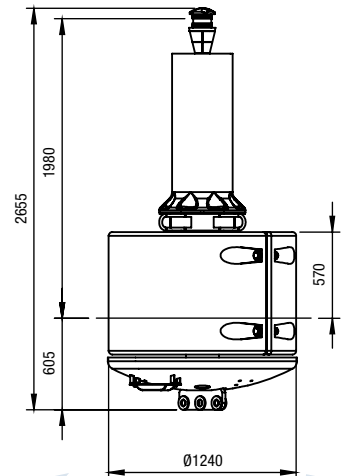
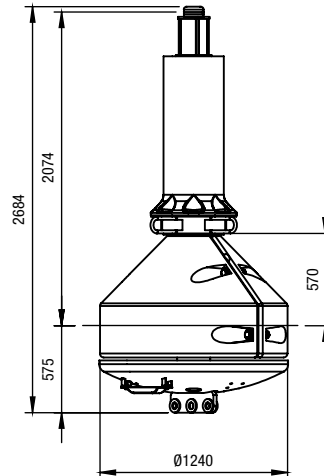
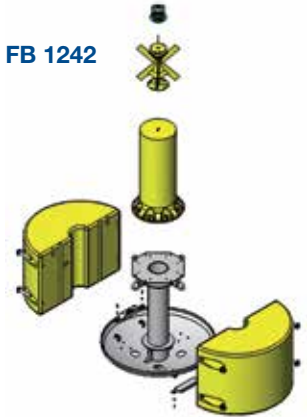
mooring

Type	Single Point
Chain mm	16 - 25
Sinker Kg	1000 - 2000

FB 1241



FB 1242



the right buoy for the job

To make sure you get the right buoy for your requirements consider all the factors that will affect the visibility and stability of the mark including: depth of water; sea conditions and current; lighting and range of light required; shape and topmarks; and focal plane.

mooring tips:

The mooring is an integral part of the system that will affect the performance and reliability of the buoy. On problematic locations we recommend a detailed mooring study be carried out to maximise reliability and minimise future maintenance costs.



hydrosphere

about Hydrosphere

Hydrosphere is the UK's leading supplier of aids to navigation and has been providing cost-effective solutions to the marine industry for more than 20 years. We offer a wide range of navigation and mooring buoys, LED navigation lights, sector lights, rotating beacons, leading lights, jetty masts, beach and zone marking products and associated moorings. Rental, installation and maintenance services are also available for all our products and systems.

For more information please contact us.

data buoy platforms | moorings | navigation buoys | navigation lights | mooring buoys | installation

t: +44 (0)1420 520374

www.hydrosphere.co.uk

e: sales@hydrosphere.co.uk

Compliant with all IALA recommendations.

