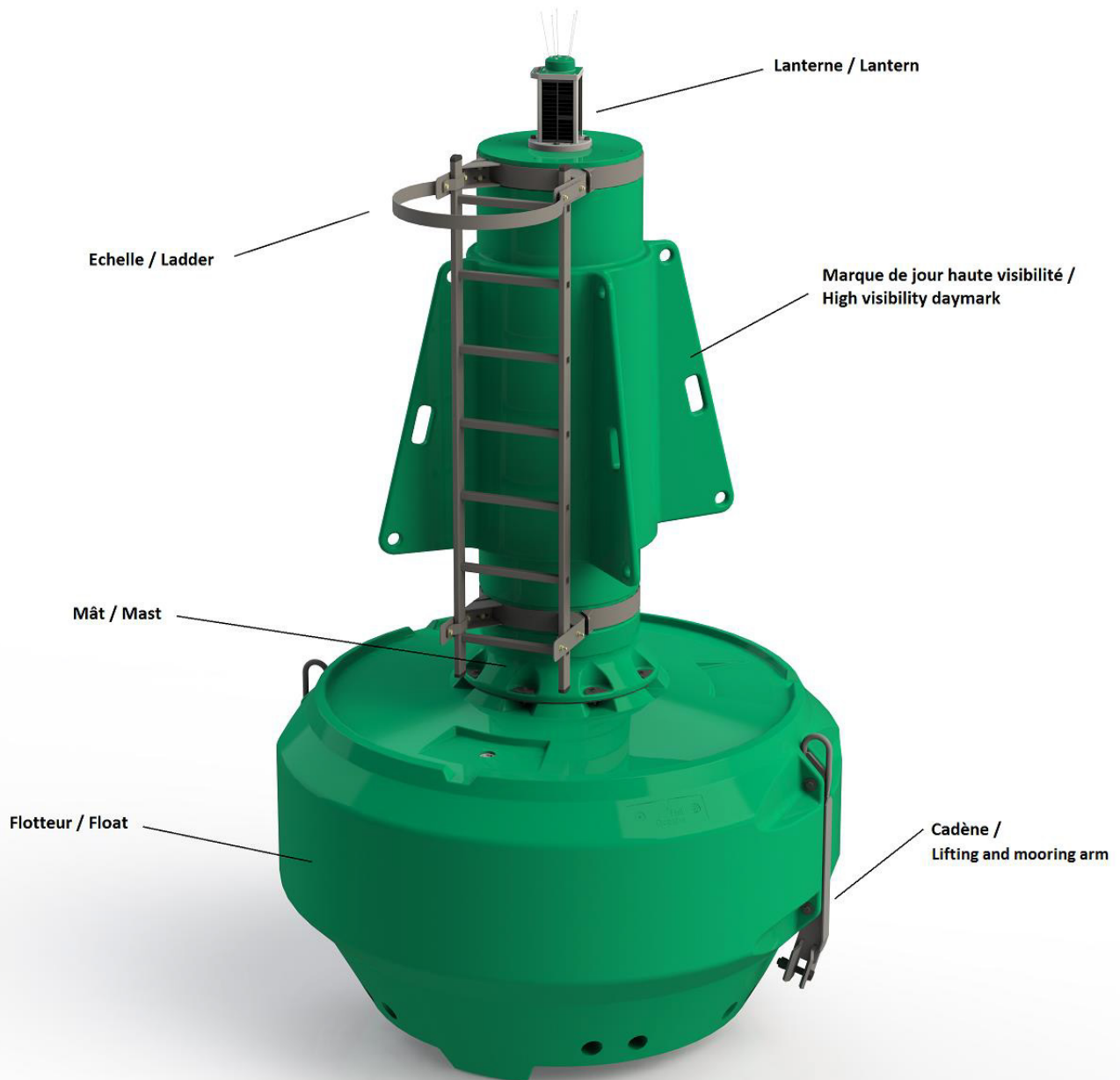
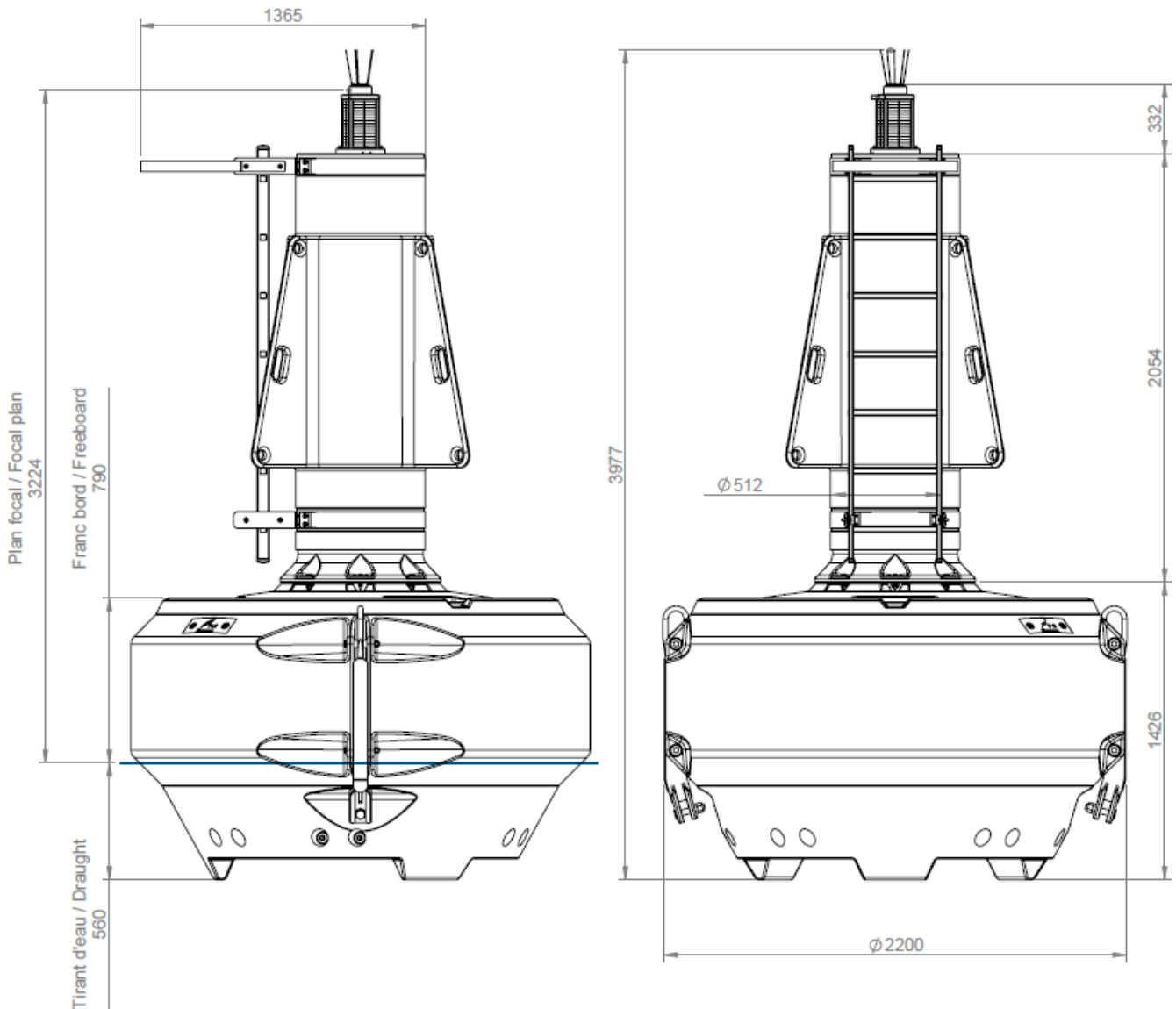


FLC2200

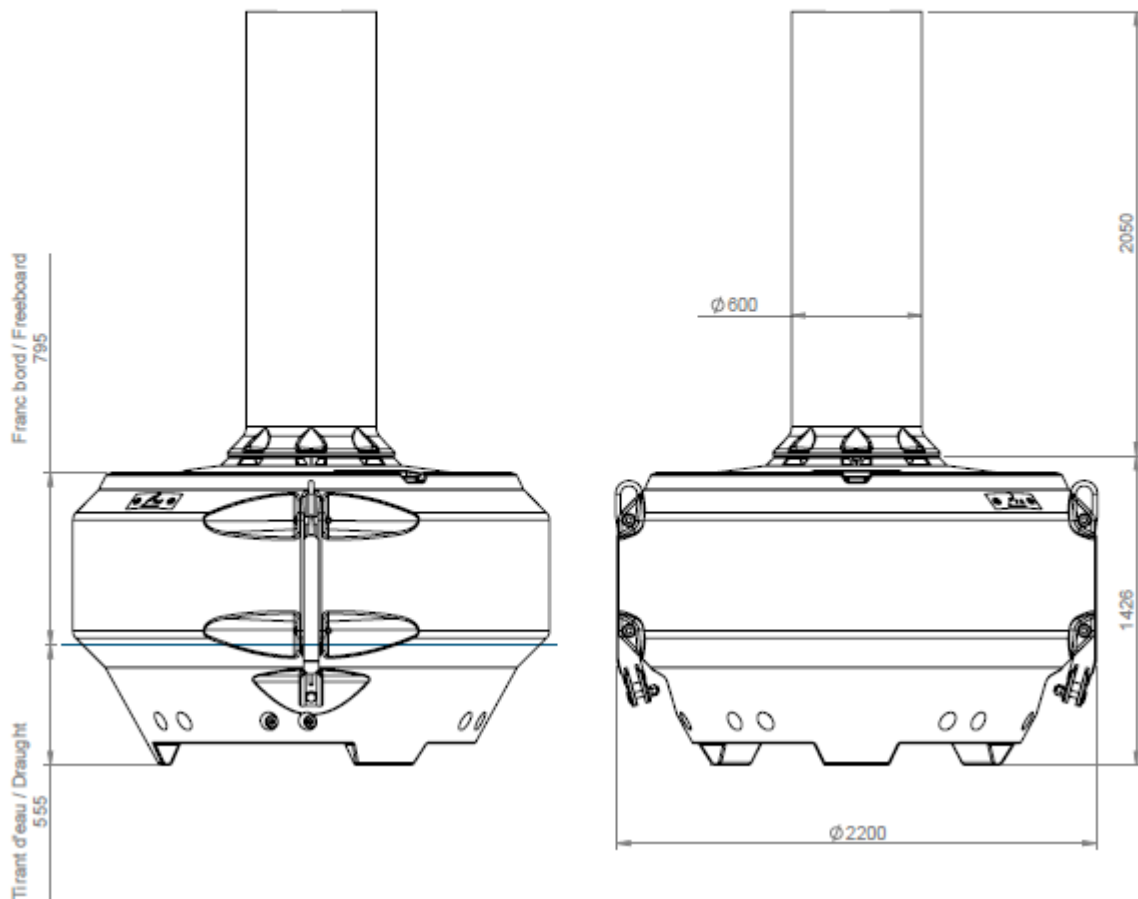
Documentation Technique / Technical Documentation





Spécification générales General Specifications		
Masse / Weight	kg	766
Surface Visible / Visible Area	m ²	3,9
Flottabilité / Submergence	kg /cm	33

Spécifications matière Material specifications	
Structure / Structure	Acier S235 galvanisé / S235 steel galvanized
Flotteurs / Floats	PE Icorene 3575 / Icorene 3575 PE
Mât / Mast	PE Icorene 3575 / Icorene 3575 PE
Voyant Passif / Top Mark	PVC rigide & nylon / Rigid PVC & Nylon
Réflecteur Radar / Radar Reflector	Aluminium 5083/5086 marine grade / Aluminium marine grade 5083/5086
Lest / Ballast	Fonte grise / Cast iron



Spécification générales General Specifications		
Masse / Weight	kg	730
Surface Visible / Visible Area	m ²	3,8
Flottabilité / Submergence	kg /cm	33

Spécifications matière Material specifications	
Structure / Structure	Acier S235 galvanisé / S235 steel galvanized
Floteur / Float	PE Icorene 3575 / Icorene 3575 PE
Mât / Mast	PE Icorene 3575 / Icorene 3575 PE
Réflecteur Radar / Radar Reflector	Aluminium 5083/5086 marine grade / Aluminium marine grade 5083/5086
Lest / Ballast	Fonte grise / Cast iron
Lifting/Mooring points	Acier S235 galvanisé / S235 steel galvanized

Ø2200 SPECIFICATIONS						
Général / General		Matières / Materials		Quantité / Quantity	Dimensions (mm)	Masse / Weight (kg)
Diametre / Diameter (mm)	2200	Lest / Ballast	Fonte grise / Cast iron	6	400x220x105	50
Masse / Weight (kg)	724,56	Fixation Mât / Mast + Base	Acier S235J2G3 galvanisée / galvanized steel S235J2G3	1	(760x76) & (430x175)	30,81
Volume (l)	3335	Cadène / Lifting - mooring points	Acier S355J2G3 galvanisée / galvanized steel S355J2G3	2	1041x167x108	15,88
Plan focal / Focal plane (mm)		Flotteur / Float	Polyéthylène haute densité / High density polyethylene	1	Ø2200x1420 ep 12	195,42
Carmanah M650	3065	Mousse / Foam	Polyuréthane 40Kg/m ³ / Polyurethane 40Kg/m ³	1	-	121,47
Carmanah M850	3115	Mât / Mast	Polyéthylène haute densité / High density polyethylene	1	Ø770x2050xØ600 ep6	28,52
Carmanah M860	3220	Fixation Feu / Lantern (for M650 only)	Polyéthylène haute densité / High density polyethylene	option	Ø230x10	0,39
		Feu / Lantern	CARMANAH M650	option	176x170	1,58
			CARMANAH M850	option	235x226	5,3
			CARMANAH M860	option	235x328	10,2
		Visserie / Screws, bolts	-	1	-	11,28

Ø2200 SPECIFICATIONS HAUTE VISIBILITE HIGH VISIBILITY						
Général / General		Matières / Materials		Quantité / Quantity	Dimensions (mm)	Masse / Weight (kg)
Diametre / Diameter (mm)	2200	Lest / Ballast	Fonte grise / Cast iron	6	400x220x105	50
Masse / Weight (kg)	765,74	Fixation Mât / Mast + Base	Acier S235J2G3 galvanisée / galvanized steel S235J2G3	1	(760x76) & (430x175)	30,81
Volume (l)	3370	Cadène / Lifting - mooring points	Acier S355J2G3 galvanisée / galvanized steel S355J2G3	2	1041x167x108	15,88
Plan focal / Focal plane (mm)		Flotteur / Float	Polyéthylène haute densité / High density polyethylene	1	Ø2200x1420 ep 12	195,42
Carmanah M650	3065	Mousse / Foam	Polyuréthane 40Kg/m ³ / Polyurethane 40Kg/m ³	1	-	121,47
Carmanah M850	3115	Mât / Mast	Polyéthylène haute densité / High density polyethylene	1	Ø770x2050xØ600 ep6	28,52
Carmanah M860	3220	Marque de jour Haute visibilité / High visibility Daymark	Polyéthylène haute densité / High density polyethylene	1	1500x1900	27,67
		Fixation Feu / Lantern (for M650 only)	Polyéthylène haute densité / High density polyethylene	option	Ø230x10	0,39
		Feu / Lantern	CARMANAH M650	option	176x170	1,58
			CARMANAH M850	option	235x226	5,3
			CARMANAH M860	option	235x328	10,2
		Visserie / Screws, bolts	-	1	-	9,03

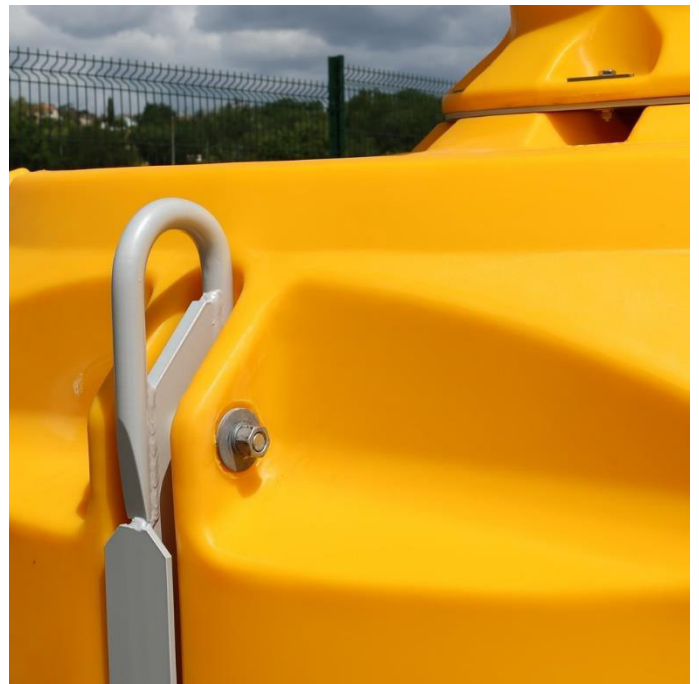
Ø2200 TOPMARKS SPECIFICATIONS						
Général / General		Matières / Materials		Quantité / Quantity	Dimensions (mm)	Masse / Weight (kg)
Topmark Powder coated Aluminium	Voyant / Topmark Starboard	Powder coated Aluminium	option	550x654	2,5	
	Voyant / Topmark Porthand	Powder coated Aluminium	option	550x690	3	
	Voyant / Topmark Cardinal	Powder coated Aluminium	option	550x1304	5	
	Voyant / Topmark Isolated danger	Powder coated Aluminium	option	550x1398	5	
	Voyant / Topmark Saint Andrew Cross	Powder coated Aluminium	option	550x550	3	
	Support de voyant / Topmark support	Aluminium 5083/5086 qualité marine / Aluminium marine grade 5083/5086	option	300x300x338	2	

QUELQUES EXEMPLES AVEC OPTIONS / FEW EXEMPLES WITH OPTIONS



Toutes les configurations possibles sur le site
All available configurations on website

www.fulloceans.com



Toutes les configurations possibles sur le site
All available configurations on website

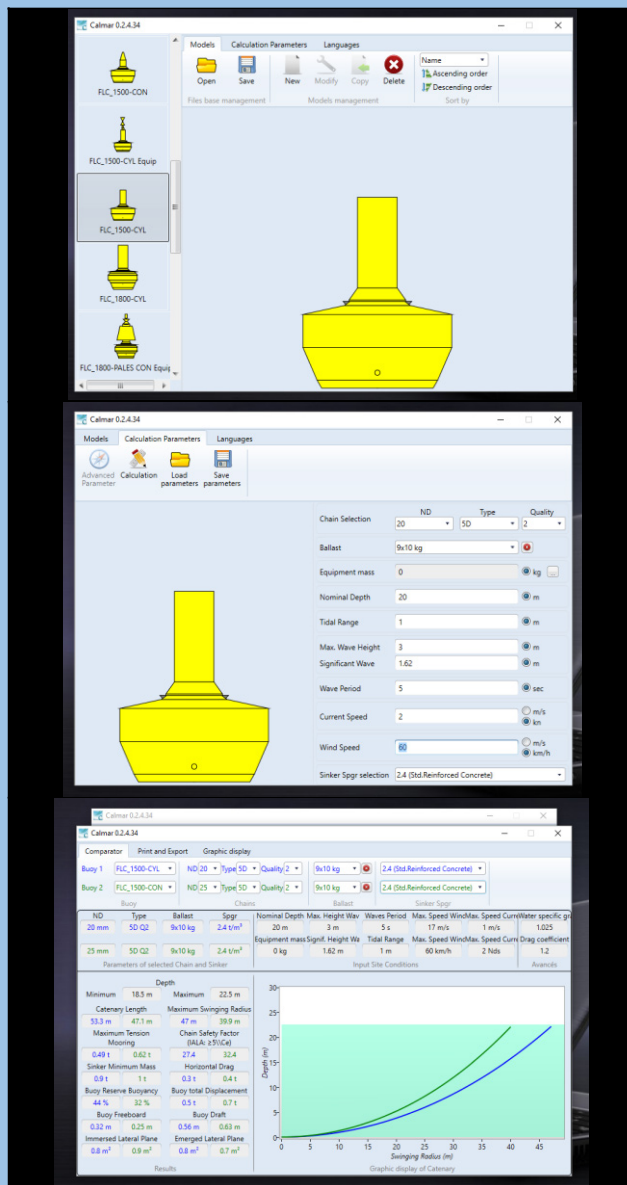
www.fulloceans.com

CALCULATE YOUR MOORING SOLUTIONS WITH CALMAR

FullOceans recommends CALMAR the best software for the calculation of your mooring lines. CALMAR is fully adapted to FullOceans buoys, and permits to define the best mooring options according to sea conditions.

CALMAR is easy to use and available in 6 languages.

IALA had endorsed CALMAR as the leading mooring line calculation software.



Choose your FullOceans model

- FLC1200
- FLC1500
- FLC1800
- FLC2200

Enter the sea conditions

- Depth
- Tidal range
- Max wave height
- Max wind
- Wave period
- Current speed
- Wind speed

Get mooring length and much more

- Mooring line length
- Tension
- Sinker mass
- Buoyancy reserve
- Freeboard
- Swinging radius
- Compare chain models
- And much more

Free Download of CALMAR on www.fulloceans.com